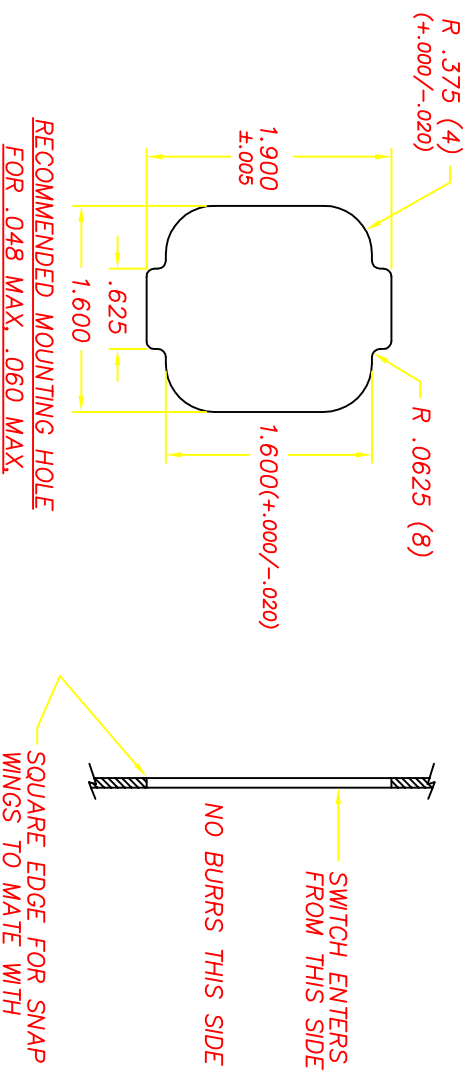


POSITION	ROTATION	FUNCTION	CONTACT
1	0°	OFF	G+M
2	45°	RUN	L+B
3	85°	START	L+B+S



RECOMMENDED MOUNTING HOLE FOR .048 MAX. .060 MAX. .105 MAX. .165 MAX PANELS

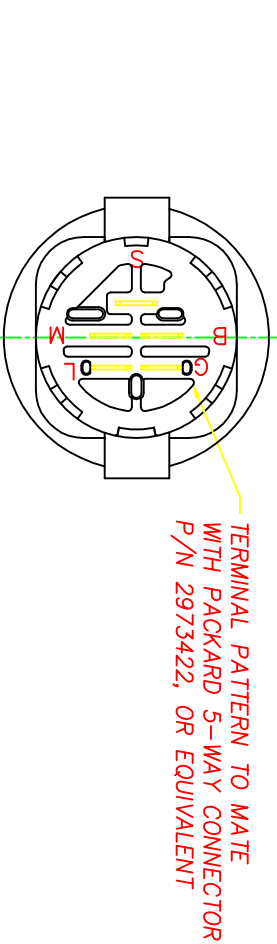
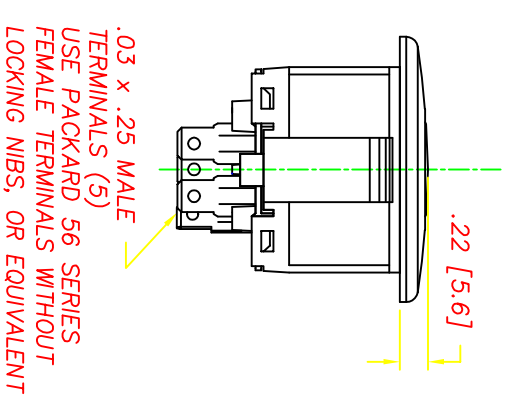
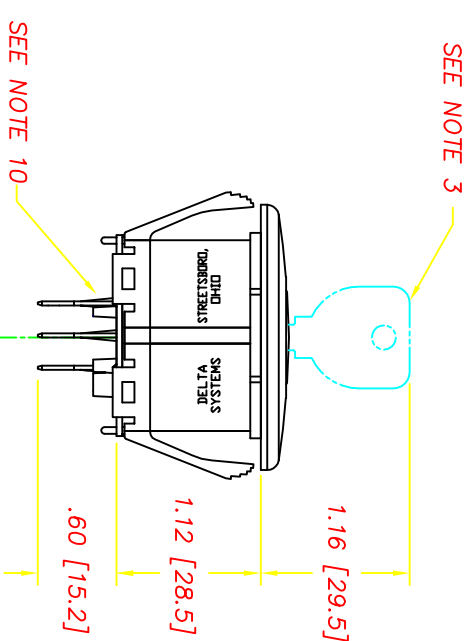
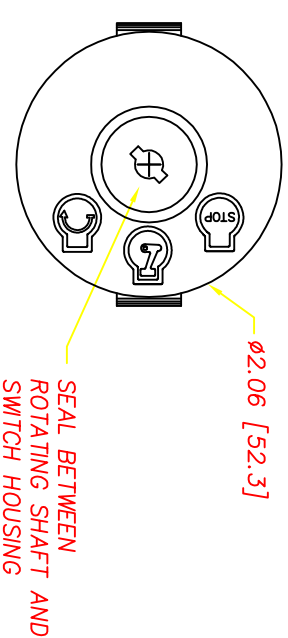
(THICKNESS INCLUDES PAINT AND ANY OTHER COVERINGS APPLIED TO PANEL. OTHER PANEL THICKNESSES NOT RECOMMENDED)

NOTES

- 1-DIM'S IN BRACKET [] ARE IN MILLIMETERS; MILLIMETER TOLERANCES ARE .XX± .5, .XX± .15.
- 2-PLASTIC PARTS ARE POLYPROPYLENE (BLACK). TERMINALS ARE BRONZE.
- 3-KEY IS SHIPPED SEPARATELY. MAXIMUM TORQUE FOR KEY IS 20 IN LBS. USE DELTA KEY ONLY. DELTA STEEL KEY PART# 688S-STD.
- 4-SWITCH STYLE STAMPED ON HOUSING.
- 5-DATE CODE INDICATING YEAR, MONTH, AND DAY OF MONTH MANUFACTURED STAMPED ON HOUSING.
- 6-SWITCH ELECTRICAL FUNCTIONALITY TESTED AFTER ASSEMBLY.
- 7-ELECTRICAL RATING, CONTINUOUS: 20A @ 12-14 VDC. ELECTRICAL LIFE: 5K CYCLES @ 10 AMPS INDUCTIVE; 10K CYCLES @ 5 AMPS INDUCTIVE; 50K CYCLES @ 5 AMPS RESISTIVE.
- 8-THIS PRODUCT COVERED BY U.S. PATENT NO. 5252791 OTHER PATENTS APPLIED FOR
- 9-SWITCH SHOULD NEVER BE MOUNTED IN PANEL WITH THE "B" TERMINAL DIRECTLY ABOVE THE "G" TERMINAL, RELATIVE TO GRAVITY.
- 10-PULL FORCE TO DISLOCATE BACK COVER IS 80 LBS. MINIMUM.
- 11-POSITION 3 IS MOMENTARY.
- 12-ALL OTHER CONTACT COMBINATIONS ARE NOT ALLOWED.

REVISIONS

REV	DESCRIPTION	DATE	BY
B	REM'D CORE IN BACKCOVER, CR 1306	06/04/99	JH
C	UPDATED NOTE, MATERIAL IS BRONZE	7/13/99	ML
D	UPDATED GRAPHICS, CR1294	7/20/99	ML
E	DEFINED CRITICAL CHARACTERISTICS	05/08/00	JH
F	DIM .60 [15.2] & .22 [5.6], CN0553	09/05/02	JG
G	REMOVE CRITICAL DIM., CR 1477	06/02/03	JH
H	UPDATE MATERIAL CR1938	01/03/11	ERB



DELTA SYSTEMS, INC. DOES NOT ASSUME ANY LIABILITY ARISING OUT OF THE MISAPPLICATION OF ANY PRODUCT		UNLESS OTHERWISE SPECIFIED DIMENSIONS ARE IN INCHES TOLERANCES ARE:	
DRAWN: LMM CHECKED: JH DATE: 09/02/98	DATE: 09/02/98	FINISH: SEE NOTE 2	SCALE: FULL
COMPUTER GENERATED DRAWING - NO MANUAL CHANGES ALLOWED		DO NOT SCALE DRAWING	PROJECT NO. EX338

DELTA
SYSTEMS INC.
STREETSBORO, OHIO 44241

TITLE: LAWN&GARDEN IGNITION SWITCH WITH PAD PRINTED GRAPHICS

SIZE: C
DWG. NO.: 6900-37P
REV: H