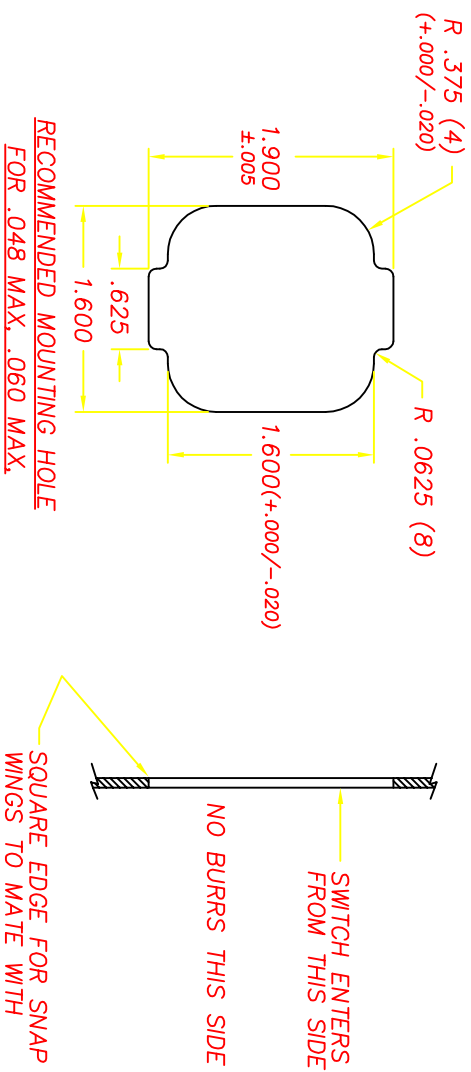


POSITION	ROTATION	FUNCTION	CONTACT 1	CONTACT 2
1	0°	OFF	M+G+A ₁	~
2	45°	RUN1	B+A ₁	L+A ₂
3	95°	RUN2	B+A ₁	~
4	135°	START	B+S+A ₁	~

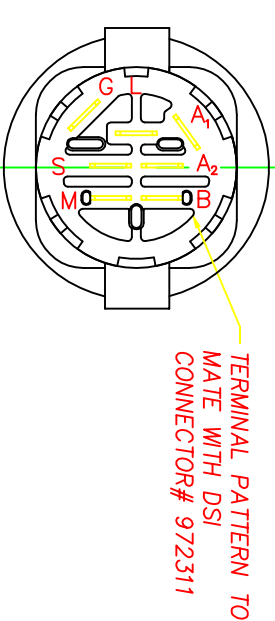
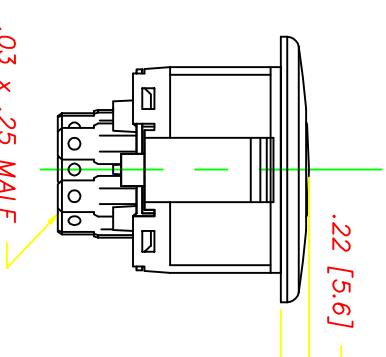
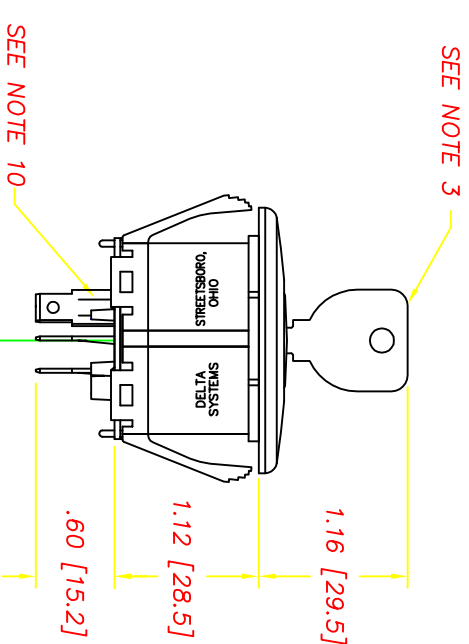
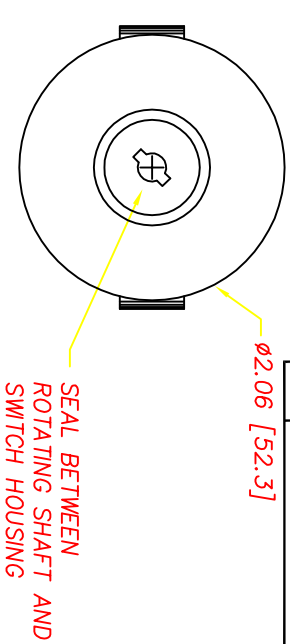


RECOMMENDED MOUNTING HOLE FOR .048 MAX. .060 MAX. .105 MAX. .165 MAX PANELS
(THICKNESS INCLUDES PAINT AND ANY OTHER COVERINGS APPLIED TO PANEL. OTHER PANEL THICKNESSES NOT RECOMMENDED)

NOTES

- 1-DIM.'S IN BRACKET [] ARE IN MILLIMETERS; MILLIMETER TOLERANCES ARE .XX± .5, .XX± .15.
- 2-PLASTIC PARTS ARE POLYPROPYLENE (BLACK HOUSING, GRAY BACK COVER). TERMINALS ARE BRONZE.
- 3-KEY IS SHIPPED SEPARATELY. MAXIMUM TORQUE FOR KEY IS 20 IN LBS. USE DELTA KEY ONLY. DELTA STEEL KEY PART# 688S-STD.
- 4-SWITCH STYLE STAMPED ON HOUSING.
- 5-DATE CODE INDICATING YEAR, MONTH, AND DAY OF MONTH MANUFACTURED STAMPED ON HOUSING.
- 6-SWITCH ELECTRICAL FUNCTIONALITY TESTED AFTER ASSEMBLY.
- 7-ELECTRICAL RATING, CONTINUOUS: 20A @ 12-14 VDC.
ELECTRICAL LIFE: 5K CYCLES @ 10 AMPS INDUCTIVE.
10K CYCLES @ 5 AMPS INDUCTIVE.
50K CYCLES @ 5 AMPS RESISTIVE.
- 8-THIS PRODUCT COVERED BY U.S. PATENT NO. 5252791
OTHER PATENTS APPLIED FOR
- 9-SWITCH SHOULD NEVER BE MOUNTED IN PANEL WITH THE "B" TERMINAL DIRECTLY ABOVE THE "G" TERMINAL, RELATIVE TO GRAVITY.
- 10-PULL FORCE TO DISLOCATE BACK COVER IS 80 LBS. MINIMUM.
- 11-POSITION 4 IS MOMENTARY.
- 12-ALL OTHER CONTACT COMBINATIONS ARE NOT ALLOWED.

REVISIONS			
B	REVISED BACK COVER, CR 1046	9/17/97	JH
C	ADDED CONNECTOR STOP, CR1215	12/4/98	JH
D	REM'D CORE IN BACKCOVER, CR 1306	06/04/99	JH
E	UPDATED NOTE, MATERIAL IS BRONZE	7/13/99	ML
F	DEFINED CRITICAL CHARACTERISTICS	05/08/00	JH
G	BACK COVER COLOR CHANGE, CR1384	09/11/00	JH
H	DIM. .60 [15.2] & .22 [5.6], CN0553	09/05/02	JG
J	REMOVE CRITICAL DIM., CR 1477	06/02/03	JH
K	UPDATE MATERIAL CR1938	01/03/11	ERB



DELTA SYSTEMS, INC. DOES NOT ASSUME ANY LIABILITY ARISING OUT OF THE MISAPPLICATION OF ANY PRODUCT		UNLESS OTHERWISE SPECIFIED DIMENSIONS ARE IN INCHES TOLERANCES ARE:	
DRAWN: HWP CHECKED DATE: 02/15/96 MATERIAL: SEE NOTE 2 FINISH: SEE NOTE 2	DATE: 11/30/95	DIMENSIONS ARE IN INCHES TOLERANCES ARE:	DIMENSIONS ARE IN INCHES TOLERANCES ARE:
COMPUTER GENERATED DRAWING - NO MANUAL CHANGES ALLOWED	DO NOT SCALE DRAWING	.XX± .02 .XXX± .005 ANGE 1°	.XX± .02 .XXX± .005 ANGE 1°
DELTA SYSTEMS INC. STREETSBORO, OHIO 44241		TITLE: LAWN & GARDEN IGNITION SWITCH	DWG. NO.: 6900-47 PROJECT NO.: EX311 REV: K
SCALE: FULL			