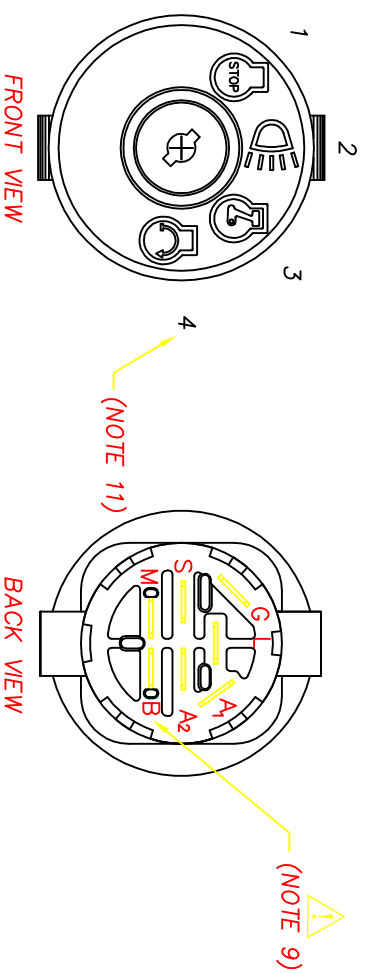
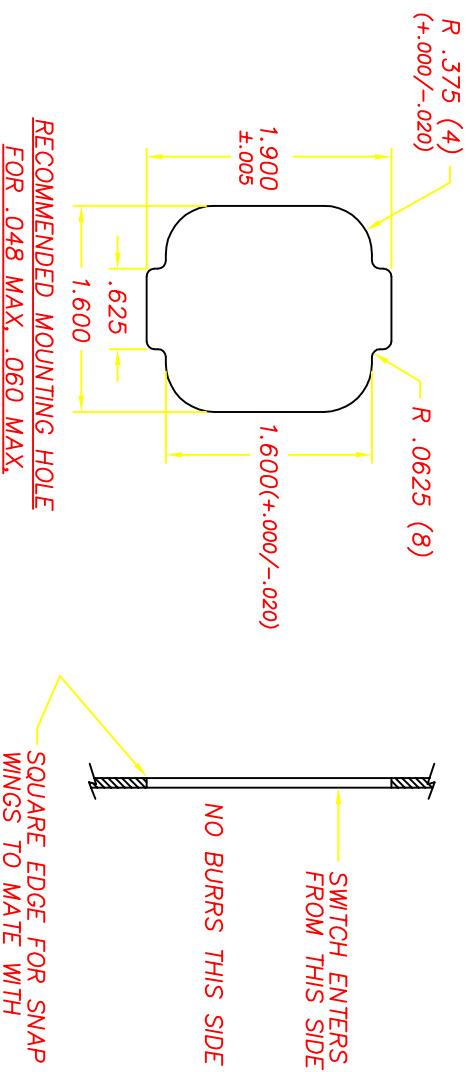


| REVISIONS |                                    |          |     |
|-----------|------------------------------------|----------|-----|
| C         | UPDATE NOTE, MATERIAL IS BRONZE    | 7/12/99  | ML  |
| D         | UPDATED GRAPHICS, CR1294           | 7/20/99  | ML  |
| E         | DEFINED CRITICAL CHARACTERISTICS   | 05/08/00 | JH  |
| F         | BACK COVER COLOR CHANGE, CR1384    | 09/11/00 | JH  |
| G         | DIM .60 [15.2] & .22 [5.6], CN0553 | 09/05/02 | JG  |
| H         | REMOVE CRITICAL DIM., CR 1477      | 06/02/03 | JH  |
| J         | UPDATE MATERIAL CR1938             | 01/03/11 | ERB |



| POSITION | ROTATION | FUNCTION | CONTACT 1          | CONTACT 2        |
|----------|----------|----------|--------------------|------------------|
| 1        | 0°       | OFF      | M+G+A <sub>1</sub> | ~                |
| 2        | 45°      | RUN1     | B+A <sub>1</sub>   | L+A <sub>2</sub> |
| 3        | 95°      | RUN2     | B+A <sub>1</sub>   | ~                |
| 4        | 135°     | START    | B+S+A <sub>1</sub> | ~                |

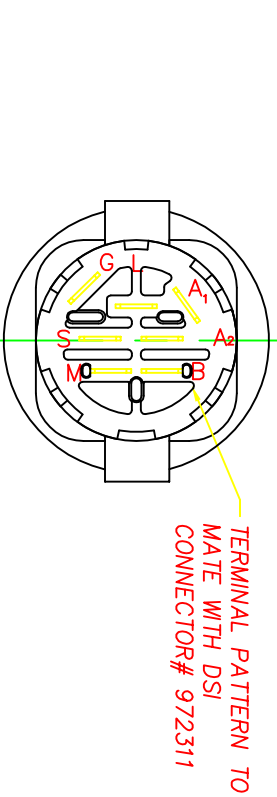
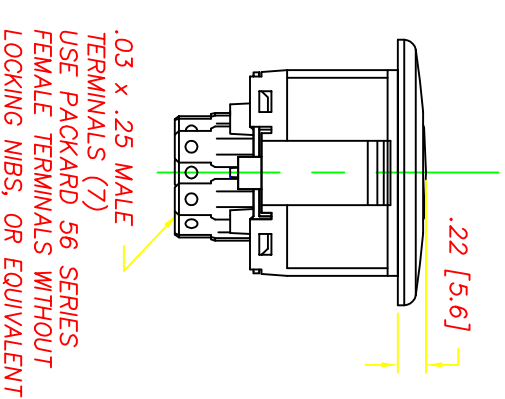
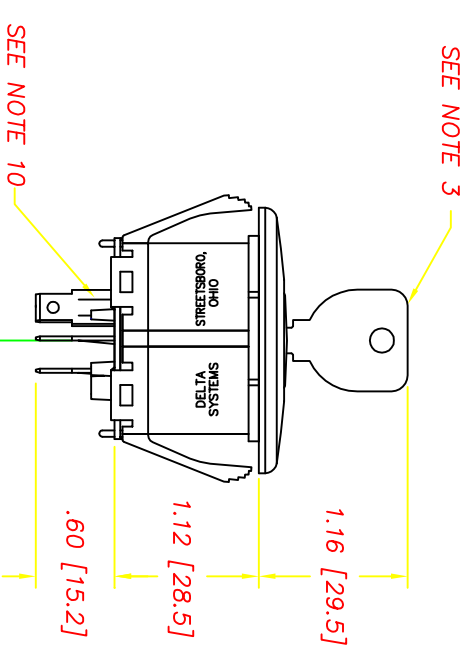
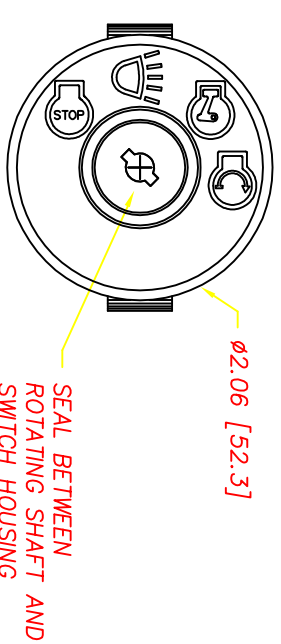


**RECOMMENDED MOUNTING HOLE**  
FOR .048 MAX. .060 MAX.  
.105 MAX. .165 MAX PANELS

(THICKNESS INCLUDES PAINT AND ANY  
OTHER COVERINGS APPLIED TO PANEL.  
OTHER PANEL THICKNESSES NOT RECOMMENDED)

### NOTES

- 1-DIM.'S IN BRACKET [ ] ARE IN MILLIMETERS; MILLIMETER TOLERANCES ARE XX.XXX ±.15.
- 2-PLASTIC PARTS ARE POLYPROPYLENE (BLACK HOUSING, GRAY BACK COVER); TERMINALS ARE BRONZE. GRAPHICS ARE PAD PRINTED WHITE.
- 3-KEY IS SHIPPED SEPARATELY; MAXIMUM TORQUE FOR KEY IS 20 IN LBS.
- 4-SWITCH STYLE STAMPED ON HOUSING.
- 5-DATE CODE INDICATING YEAR, MONTH, AND DAY OF MONTH MANUFACTURED STAMPED ON HOUSING.
- 6-SWITCH ELECTRICAL FUNCTIONALITY TESTED AFTER ASSEMBLY.
- 7-ELECTRICAL RATING, CONTINUOUS: 20A @ 12-14 VDC.  
ELECTRICAL LIFE: 5K CYCLES @ 10 AMPS INDUCTIVE;  
10K CYCLES @ 5 AMPS RESISTIVE;  
50K CYCLES @ 5 AMPS RESISTIVE.
- 8-THIS PRODUCT COVERED BY U.S. PATENT NO. 5252791  
OTHER PATENTS APPLIED FOR
- 9-SWITCH SHOULD NEVER BE MOUNTED IN PANEL WITH THE "B" TERMINAL DIRECTLY ABOVE THE "G" TERMINAL, RELATIVE TO GRAVITY.
- 10-PULL FORCE TO DISLOCATE BACK COVER IS 80 LBS. MINIMUM.
- 11-POSITION 4 IS MOMENTARY.
- 12-ALL OTHER CONTACT COMBINATIONS ARE NOT ALLOWED.



|  |  |  |  |   |  |
|--|--|--|--|---|--|
| DELTA SYSTEMS, INC. DOES NOT ASSUME<br>ANY LIABILITY ARISING OUT OF THE<br>MISAPPLICATION OF ANY PRODUCT |  | UNLESS OTHERWISE SPECIFIED<br>DIMENSIONS ARE IN INCHES<br>TOLERANCES ARE:<br>.XX ±.02 .XXX ±.005 ANG. 1° |  | DRAWN DATE<br>LMM 09/02/98  |  |
| COMPUTER GENERATED<br>DRAWING - NO MANUAL<br>CHANGES ALLOWED   |  | DO NOT SCALE DRAWING   |  | CHECKED DATE<br>JH 09/02/98                                       |  |
| MATERIAL<br>SEE NOTE 2   |  | FINISH<br>SEE NOTE 2   |  | TITLE<br>LAWN&GARDEN IGNITION SWITCH<br>WITH PAD PRINTED GRAPHICS |  |
| SIZE<br>FULL   |  | DWG. NO.<br>6900-47P   |  | PROJECT NO.<br>EX338  |  |
| SCALE<br>FULL  |  | REV<br>J   |  | DELTA SYSTEMS INC.<br>STREETSBORO, OHIO 44241                     |  |