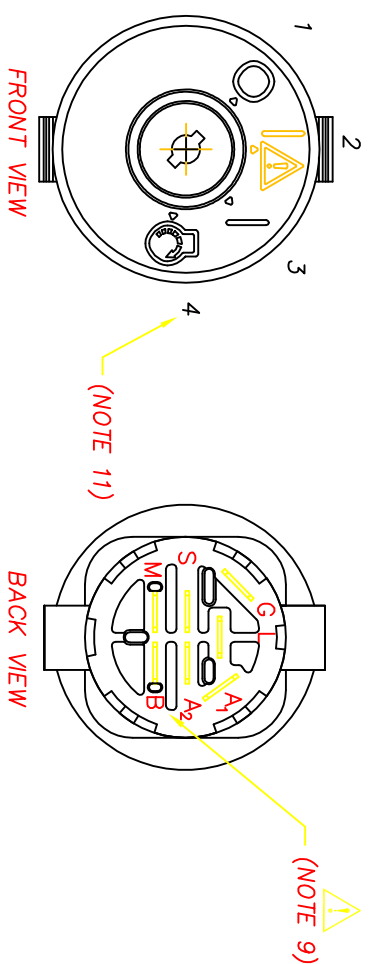
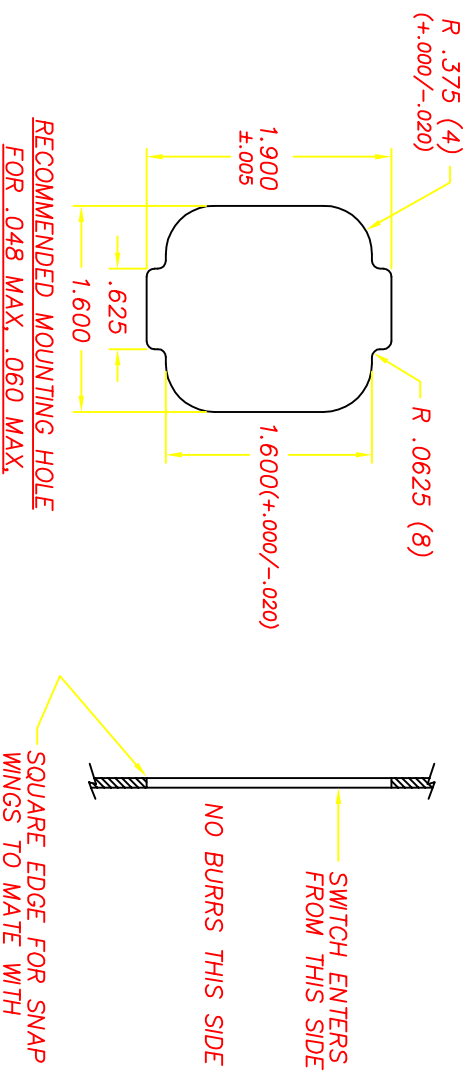


REVISIONS			
~	INITIAL RELEASE, CR 1581	10/27/04	DB
A	UPDATE MATERIAL CR1938	01/03/11	ERB



POSITION	ROTATION	FUNCTION	CONTACT 1	CONTACT 2
1	0°	OFF	M+G+A ₁	~
2	45°	RUN1	B+A ₁	~
3	95°	RUN2	B+A ₁	L+A ₂
4	135°	START	B+S+A ₁	~

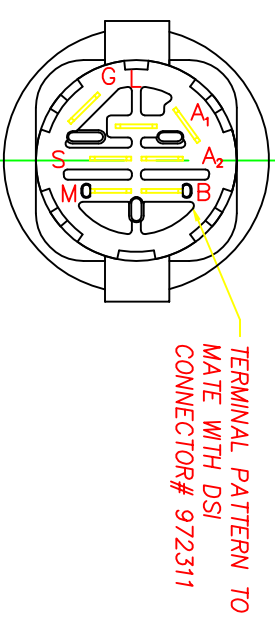
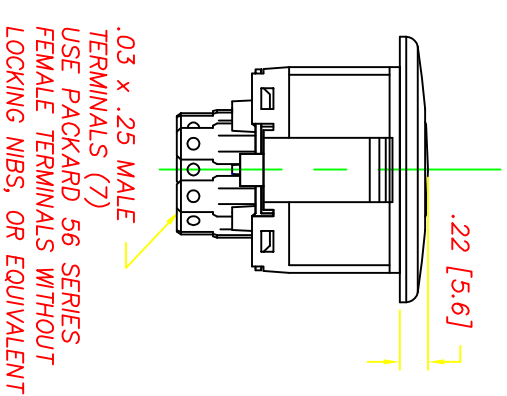
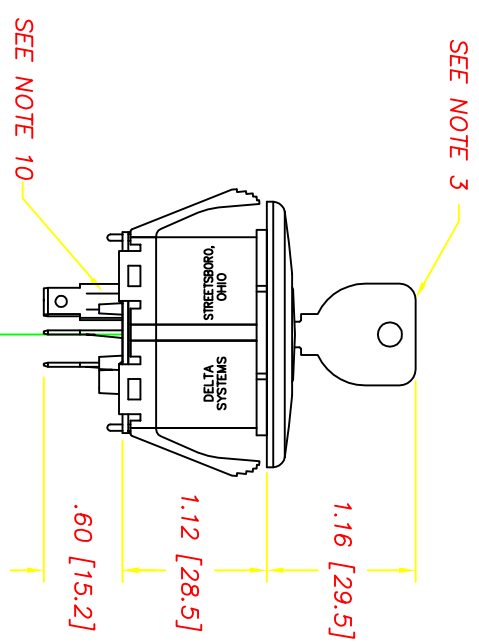
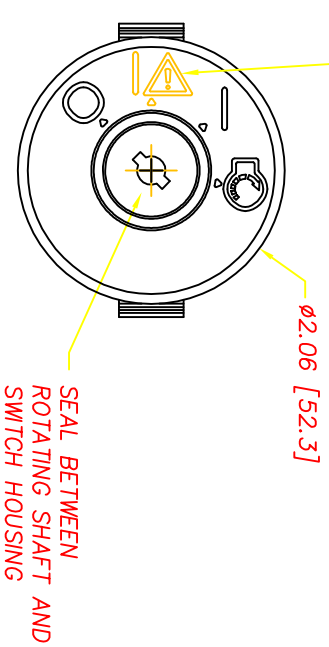


RECOMMENDED MOUNTING HOLE FOR .048 MAX. .060 MAX. .105 MAX. .165 MAX PANELS
(THICKNESS INCLUDES PAINT AND ANY OTHER COVERINGS APPLIED TO PANEL, OTHER PANEL THICKNESSES NOT RECOMMENDED)

NOTES

- 1-DIM.'S IN BRACKET [] ARE IN MILLIMETERS; MILLIMETER TOLERANCES ARE .XX. .5X. .XX. .15.
- 2-PLASTIC PARTS ARE POLYPROPYLENE (BLACK HOUSING, GRAY BACK COVER). TERMINALS ARE BRONZE.
- 3-KEY IS SHIPPED SEPARATELY. MAXIMUM TORQUE FOR KEY IS 20 IN LBS. USE DELTA KEY ONLY. DELTA STEEL KEY PART# 688S-STD.
- 4-SWITCH STYLE STAMPED ON HOUSING.
- 5-DATE CODE INDICATING YEAR, MONTH, AND DAY OF MONTH MANUFACTURED STAMPED ON HOUSING.
- 6-SWITCH ELECTRICAL FUNCTIONALITY TESTED AFTER ASSEMBLY.
- 7-ELECTRICAL RATING, CONTINUOUS: 20A @ 12-14 VDC. ELECTRICAL LIFE: 1K CYCLES @ 10 AMPS INDUCTIVE. 10K CYCLES @ 5 AMPS INDUCTIVE. 25K CYCLES @ 5 AMPS RESISTIVE.
- 8-THIS PRODUCT COVERED BY U.S. PATENT NO. 5252791 OTHER PATENTS APPLIED FOR
- 9-SWITCH SHOULD NEVER BE MOUNTED IN PANEL WITH THE "B" TERMINAL DIRECTLY ABOVE THE "G" TERMINAL, RELATIVE TO GRAVITY
- 10-PULL FORCE TO DISLOCATE BACK COVER IS 80 LBS. MINIMUM.
- 11-POSITION 4 IS MOMENTARY.
- 12-ALL OTHER CONTACT COMBINATIONS ARE NOT ALLOWED.

POSITION 2 GRAPHICS ARE ORANGE (PMS 151C)
ALL OTHER POSITIONS HAVE WHITE GRAPHICS



DELTA SYSTEMS, INC. DOES NOT ASSUME ANY LIABILITY ARISING OUT OF THE MISAPPLICATION OF ANY PRODUCT		UNLESS OTHERWISE SPECIFIED DIMENSIONS ARE IN INCHES TOLERANCES ARE: .XX. .5XX. .XX. .15.	
COMPUTER GENERATED DRAWING - NO MANUAL CHANGES ALLOWED	DO NOT SCALE DRAWING	DATE	SCALE
DRAWN: DRB	DATE: 10/10/04	SIZE: C	SCALE: FULL
CHECKED: MEL	DATE: 10/20/04	DWG. NO.: 6900-49P2	PROJECT NO.: EX311
MATERIAL: SEE NOTE 2		FINISH: SEE NOTE 2	
TITLE: LAWN & GARDEN IGNITION SWITCH		REV: A	
DELTA SYSTEMS INC. STREETSBORO, OHIO 44241		LAWRENCE & GARDEN	