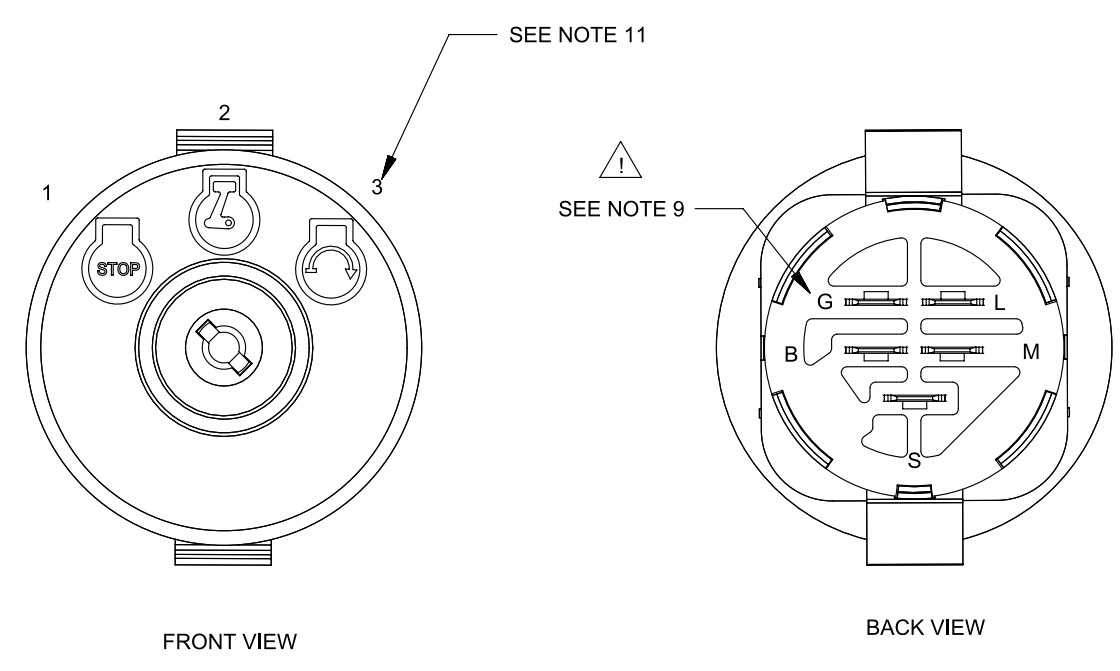
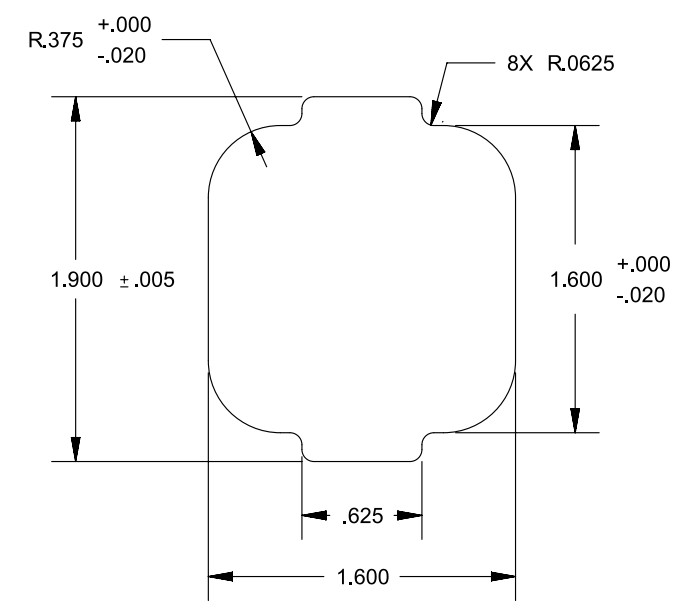
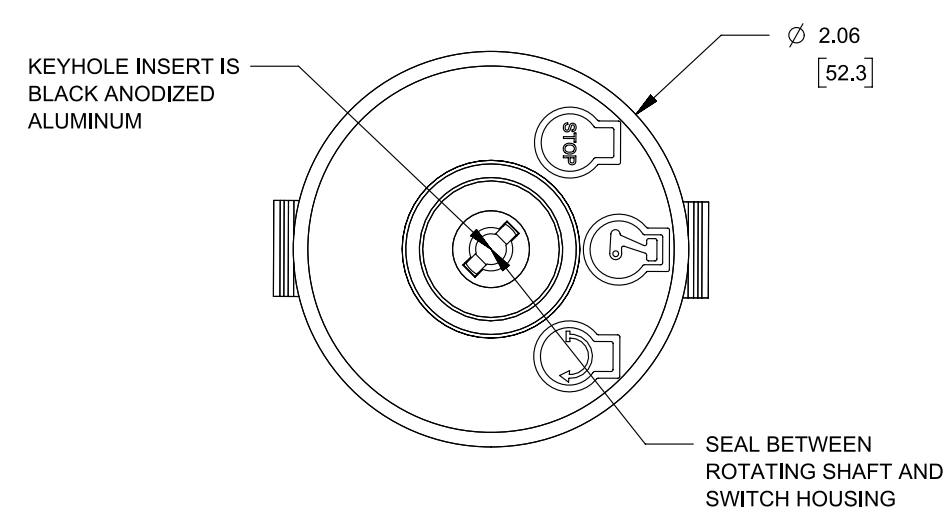


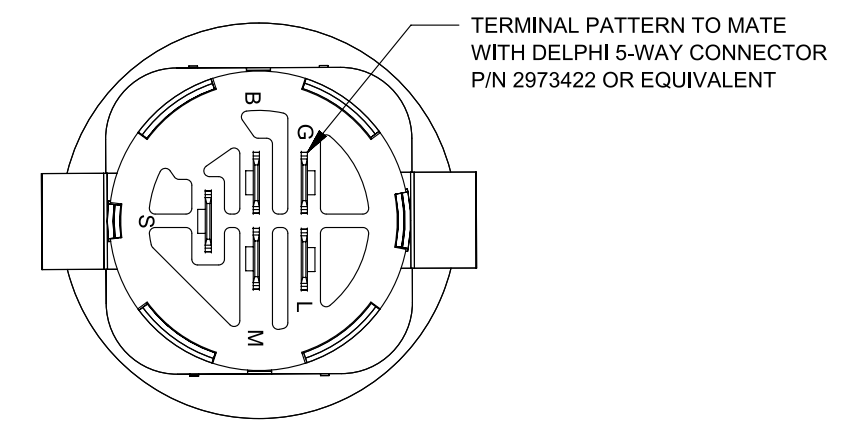
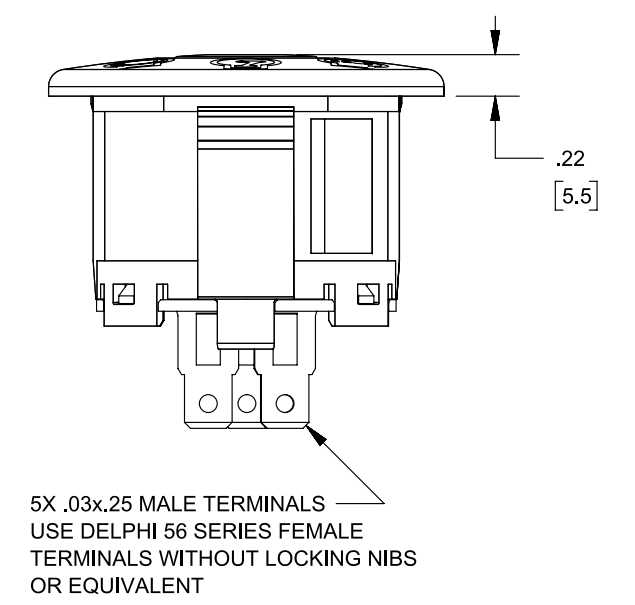
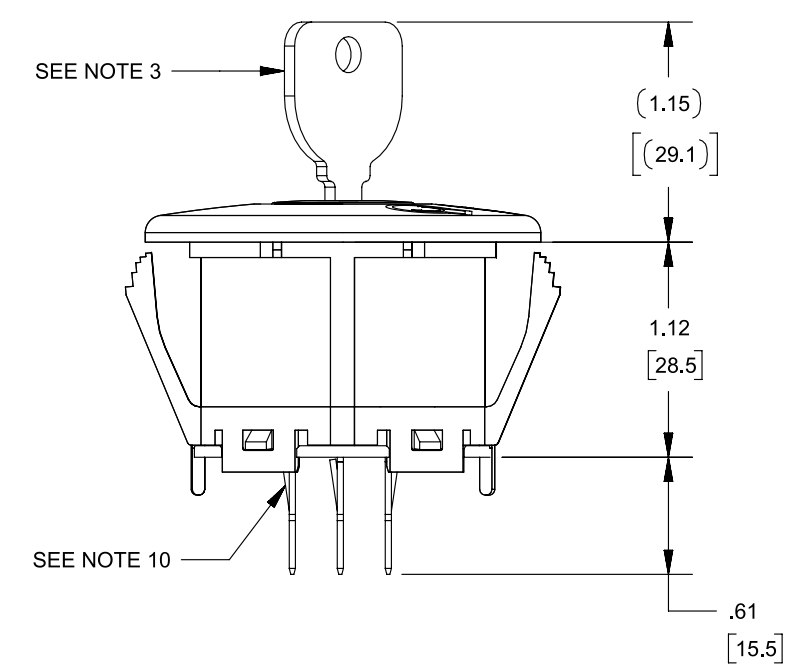
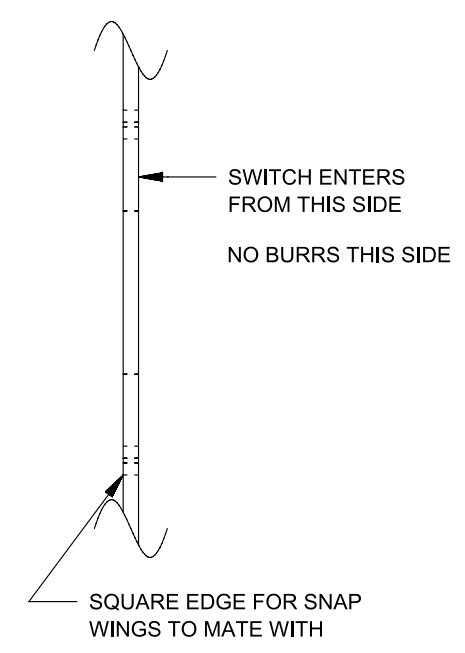
REVISIONS			
REV.	DESCRIPTION	DATE	INIT
0	INITIAL RELEASE	09/10/14	IDK



POSITION	ROTATION	FUNCTION	CONTACT
1	0°	OFF	G+M
2	45°	RUN	L+B
3	85°	START	L+B+S



RECOMMENDED MOUNTING HOLE FOR .048 MAX, .060 MAX, .105 MAX, .165 MAX PANELS (THICKNESS INCLUDES PAINT AND ANY OTHER COVERINGS APPLIED TO PANEL, OTHER PANEL THICKNESSES NOT RECOMMENDED)



- NOTES**
- DIMENSIONS IN BRACKETS [] ARE IN MILLIMETERS. MILLIMETER TOLERANCES ARE .X±.5, .XX±.15.
 - PLASTIC PARTS ARE POLYPROPYLENE (BLACK). TERMINALS ARE BRONZE. POSITION 1 GRAPHIC IS PAD PRINTED RED. POSITION 2 & 3 GRAPHICS ARE PAD PRINTED WHITE.
 - KEY IS SHIPPED SEPARATELY. MAXIMUM TORQUE FOR KEY IS 20 IN LBS. USE DELTA KEY ONLY. DELTA STEEL KEY PART# 688S-STD.
 - SWITCH STYLE MARKED ON HOUSING.
 - DATE CODE INDICATING YEAR, MONTH, AND DAY OF MONTH MANUFACTURED MARKED ON HOUSING.
 - SWITCH ELECTRICAL FUNCTIONALITY TESTED AFTER ASSEMBLY.
 - ELECTRICAL RATING, CONTINUOUS: 20A @ 12-14 VDC. ELECTRICAL LIFE: 5K CYCLES @ 10 AMPS INDUCTIVE, 10K CYCLES @ 5 AMPS INDUCTIVE, 50K CYCLES @ 5 AMPS RESISTIVE.
 - THIS PRODUCT COVERED BY U.S. PATENT NO. 5252791. OTHER PATENTS APPLIED FOR.
 - SWITCH SHOULD NEVER BE MOUNTED IN PANEL WITH THE "B" TERMINAL DIRECTLY ABOVE THE "G" TERMINAL, RELATIVE TO GRAVITY.
 - PULL FORCE TO DISLOCATE BACK COVER IS 80 LBS. MINIMUM.
 - POSITION 3 IS MOMENTARY.
 - ALL OTHER CONTACT COMBINATIONS ARE NOT ALLOWED.
 - INTERPRET DRAWING PER ASME Y14.5-2009

PROPRIETARY & CONFIDENTIAL THE INFORMATION CONTAINED IN THIS DRAWING IS THE SOLE PROPERTY OF DELTA SYSTEMS. ANY REPRODUCTION IN PART OR AS A WHOLE WITHOUT THE WRITTEN PERMISSION OF DELTA SYSTEMS IS PROHIBITED.	UNLESS OTHERWISE SPECIFIED DIMENSIONS ARE IN INCHES TOLERANCES ARE: .X± .1 .XX± .02 .XXX± .005 X°± 1	DRAWN ikirbaw	DATE 03-Sep-2014	1734 FROST ROAD STREETSBORO, OHIO 44241 330-626-2811 WWW.DELTASYSTEMSINC.COM
		CHECKED bkirkman	DATE 09-Sep-2014	
		APPROVED ikirbaw	DATE 10-Sep-2014	
		MATERIAL SEE NOTE 2	PROJECTED VIEWS ARE 3RD ANGLE	
DELTA SYSTEMS INC. DOES NOT ASSUME ANY LIABILITY ARISING OUT OF THE MISAPPLICATION OF ANY PRODUCT	COMPUTER GENERATED DRAWING - NO MANUAL CHANGES ALLOWED	FINISH SEE NOTE 2	STATUS DS4_Design	TITLE Ignition Switch, Snap-Mount, 3-Position
		DO NOT SCALE DRAWING	SCALE NTS	DWG. NO. 6901-37P2_APP
			SHEET 1 OF 1	PROJECT NO. EX338
				REVISION 0