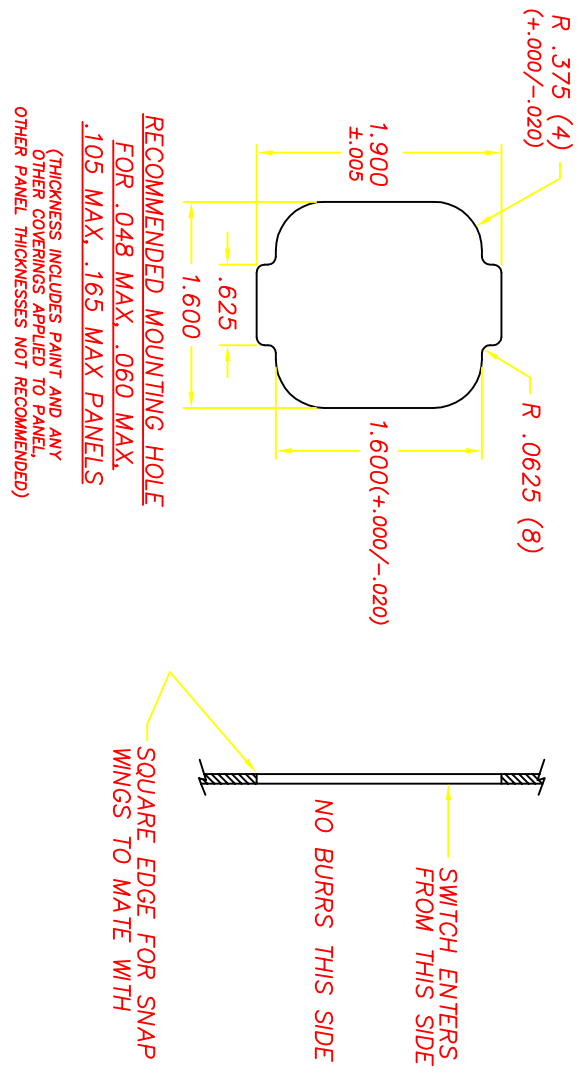
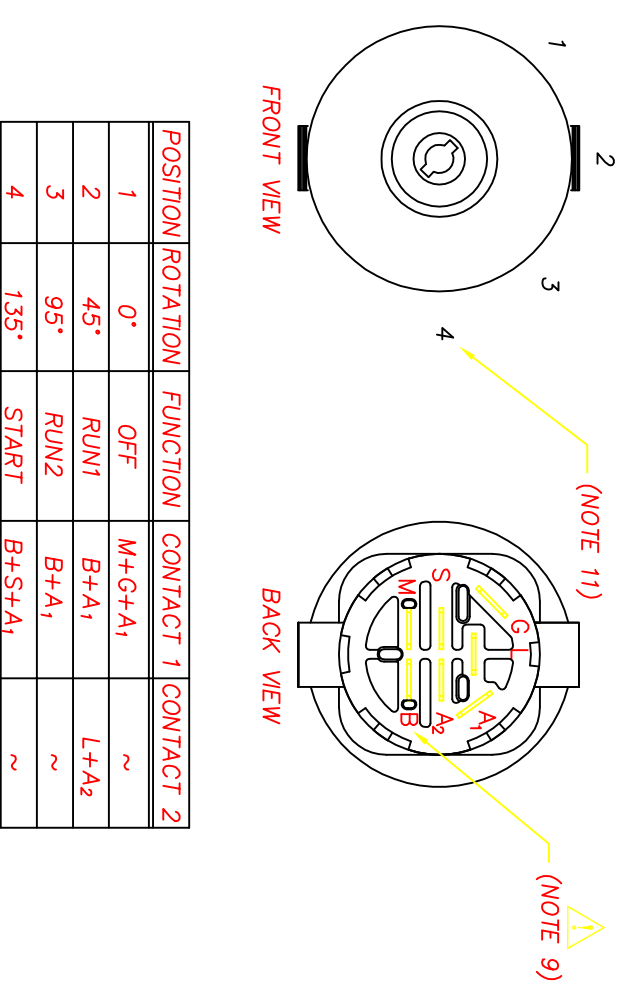
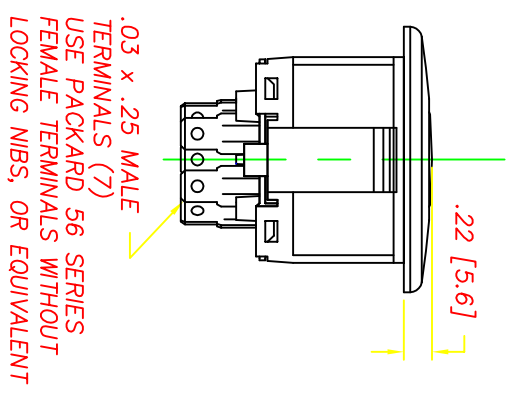
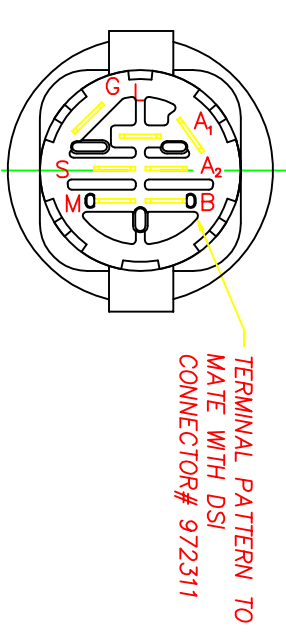
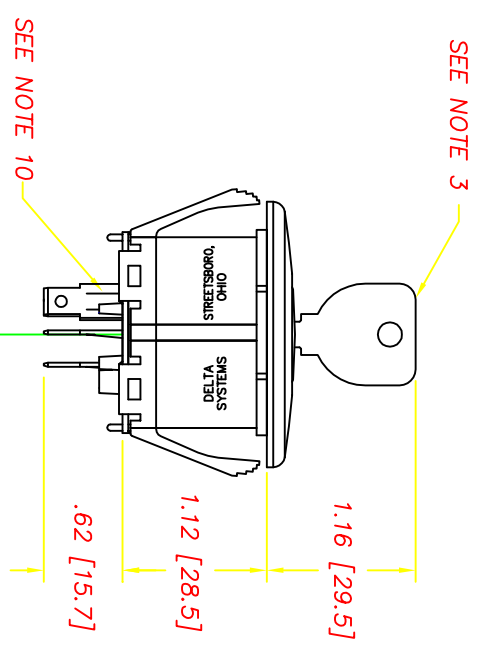
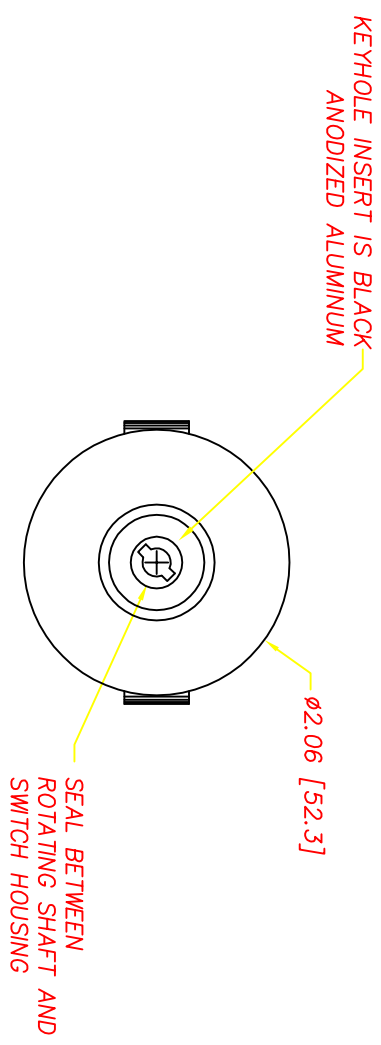


REVISIONS			
~	INITIAL RELEASE, CR1294	7/19/99	ML
A	DEFINED CRITICAL CHARACTERISTICS	05/08/00	JH
B	BACK COVER COLOR CHANGE, CR1384	09/11/00	JH
C	REMOVE CRITICAL DIM., CR 1477	06/02/03	JH
D	UPDATE MATERIAL CR1938	01/03/11	ERB
E	.22 WAS .220	09/04/13	IDK



**NOTES**

- 1-DIM.'S IN BRACKET [ ] ARE IN MILLIMETERS; MILLIMETER TOLERANCES ARE .XX ± .15.
- 2-PLASTIC PARTS ARE POLYPROPYLENE (BLACK HOUSING, GRAY BACK COVER). TERMINALS ARE BRONZE.
- 3-KEY IS SHIPPED SEPARATELY. MAXIMUM TORQUE FOR KEY IS 20 IN LBS. USE DELTA KEY ONLY. DELTA STEEL KEY PART# 688S-STD.
- 4-SWITCH STYLE STAMPED ON HOUSING.
- 5-DATE CODE INDICATING YEAR, MONTH, AND DAY OF MONTH MANUFACTURED STAMPED ON HOUSING.
- 6-SWITCH ELECTRICAL FUNCTIONALITY TESTED AFTER ASSEMBLY.
- 7-ELECTRICAL RATING, CONTINUOUS: 20A @ 12-14 VDC. ELECTRICAL LIFE: 5K CYCLES @ 10 AMPS INDUCTIVE; 10K CYCLES @ 5 AMPS INDUCTIVE; 50K CYCLES @ 5 AMPS RESISTIVE.
- 8-THIS PRODUCT COVERED BY U.S. PATENT NO. 5252791 OTHER PATENTS APPLIED FOR
- 9-SWITCH SHOULD NEVER BE MOUNTED IN PANEL WITH THE "B" TERMINAL DIRECTLY ABOVE THE "G" TERMINAL, RELATIVE TO GRAVITY.
- 10-PULL FORCE TO DISLOCATE BACK COVER IS 80 LBS. MINIMUM.
- 11-POSITION 4 IS MOMENTARY.
- 12-ALL OTHER CONTACT COMBINATIONS ARE NOT ALLOWED.



DELTA SYSTEMS, INC. DOES NOT ASSUME ANY LIABILITY ARISING OUT OF THE MISAPPLICATION OF ANY PRODUCT		UNLESS OTHERWISE SPECIFIED DIMENSIONS ARE IN INCHES TOLERANCES ARE:	
DRAWN DMR	DATE 7/19/99	.XX ± .02	.XXX ± .005
CHECKED ML	DATE 7/19/99	FINISH SEE NOTE 2	
MATERIAL SEE NOTE 2		DO NOT SCALE DRAWING	
DELTA SYSTEMS INC. STREETSBORO, OHIO 44241		TITLE LAWN & GARDEN IGNITION SWITCH	DWG. NO. 6901-47
SIZE FULL	SCALE FULL	PROJECT NO. EX311	REV E

COMPUTER GENERATED DRAWING - NO MANUAL CHANGES ALLOWED