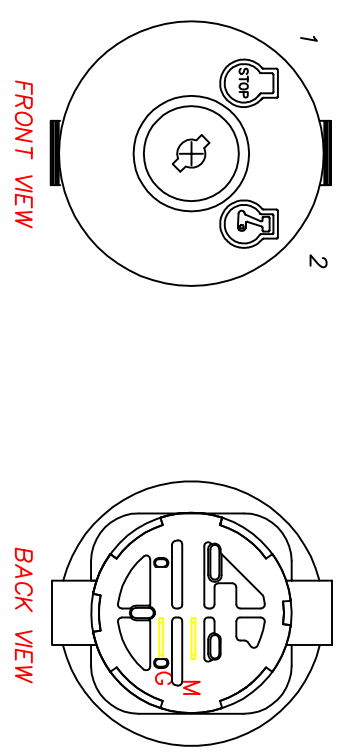
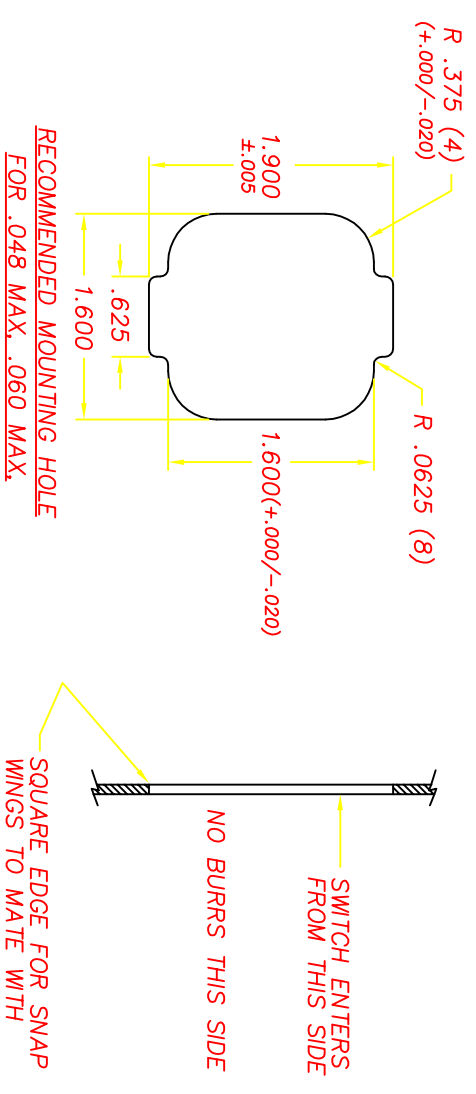


REVISIONS			
~	INITIAL RELEASE, CR 1435	06/12/01	JH
A	DIM .60 [15.2] & .22 [5.6], CN0553	09/05/02	JG
B	REMOVE CRITICAL DIM., CR 1477	06/02/03	JH
C	UPDATE MATERIAL CR1938	01/03/11	ERB



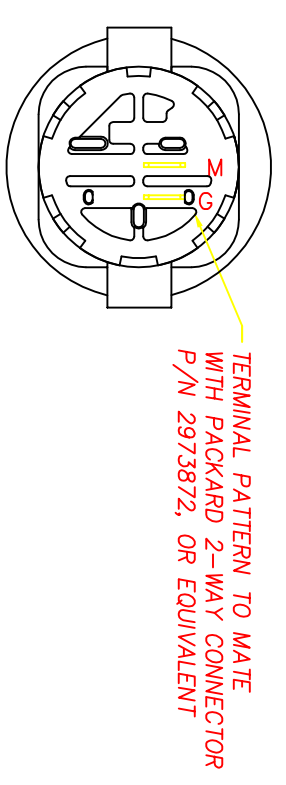
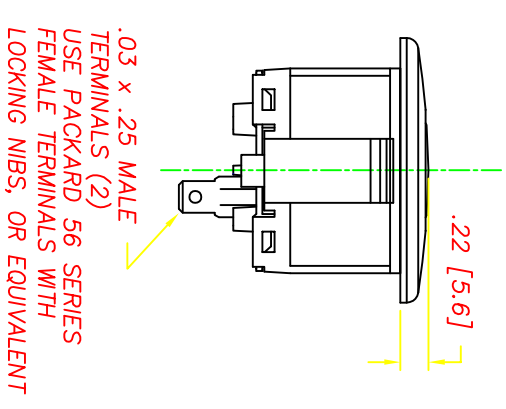
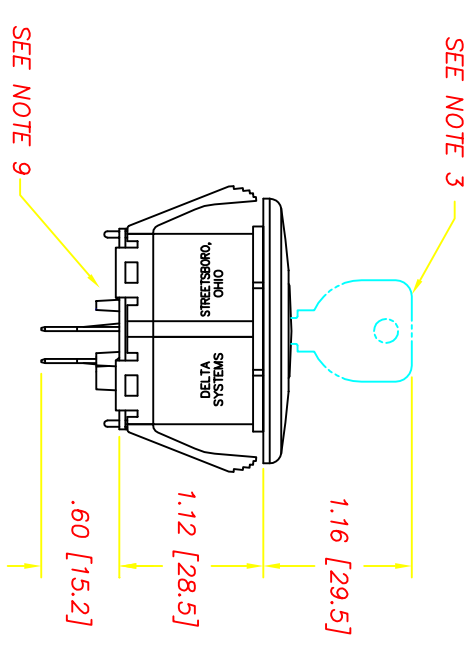
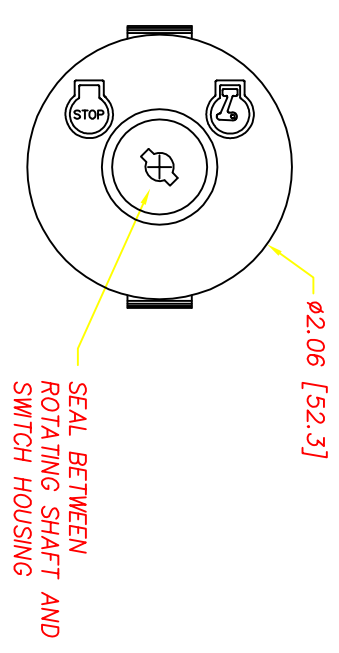
POSITION	ROTATION	FUNCTION	CONTACT
1	0°	OFF	G+M
2	90°	ON	OPEN



RECOMMENDED MOUNTING HOLE FOR .048 MAX .060 MAX .105 MAX .165 MAX PANELS
(THICKNESS INCLUDES PAINT AND ANY OTHER COVERINGS APPLIED TO PANEL. OTHER PANEL THICKNESSES NOT RECOMMENDED)

NOTES

- 1-DIM.'S IN BRACKET [] ARE IN MILLIMETERS; MILLIMETER TOLERANCES ARE .XX ± .5, .XX± .15.
- 2-PLASTIC PARTS ARE POLYPROPYLENE (BLACK); TERMINALS ARE BRONZE; GRAPHICS ARE PAD PRINTED WHITE.
- 3-KEY IS SHIPPED SEPARATELY; MAXIMUM TORQUE FOR KEY IS 20 IN LBS. USE DELTA KEY ONLY. DELTA STEEL KEY PART# 688S-STD.
- 4-SWITCH STYLE STAMPED ON HOUSING.
- 5-DATE CODE INDICATING YEAR, MONTH, AND DAY OF MONTH MANUFACTURED STAMPED ON HOUSING.
- 6-SWITCH ELECTRICAL FUNCTIONALITY TESTED AFTER ASSEMBLY.
- 7-ELECTRICAL RATING, CONTINUOUS: 20A @ 12-14 VDC. ELECTRICAL LIFE: 5K CYCLES @ 10 AMPS INDUCTIVE; 10K CYCLES @ 5 AMPS INDUCTIVE; 50K CYCLES @ 5 AMPS RESISTIVE.
- 8-THIS PRODUCT COVERED BY U.S. PATENT NO. 5252791
- 9-PULL FORCE TO DISLOCATE BACK COVER IS 80 LBS. MINIMUM.



DELTA SYSTEMS, INC. DOES NOT ASSUME ANY LIABILITY ARISING OUT OF THE MISAPPLICATION OF ANY PRODUCT		UNLESS OTHERWISE SPECIFIED DIMENSIONS ARE IN INCHES TOLERANCES ARE: .02 .005 ANGLE 1°	
DRAWN: LMM CHECKED: JH DATE: 06/12/01	DATE: 06/12/01	TITLE: LAWN & GARDEN IGNITION SWITCH WITH PAD PRINTED GRAPHICS	PROJECT NO: 6900-21P REV: C
COMPUTER GENERATED DRAWING - NO MANUAL CHANGES ALLOWED		DO NOT SCALE DRAWING	
		STREETSBORO, OHIO 44241	