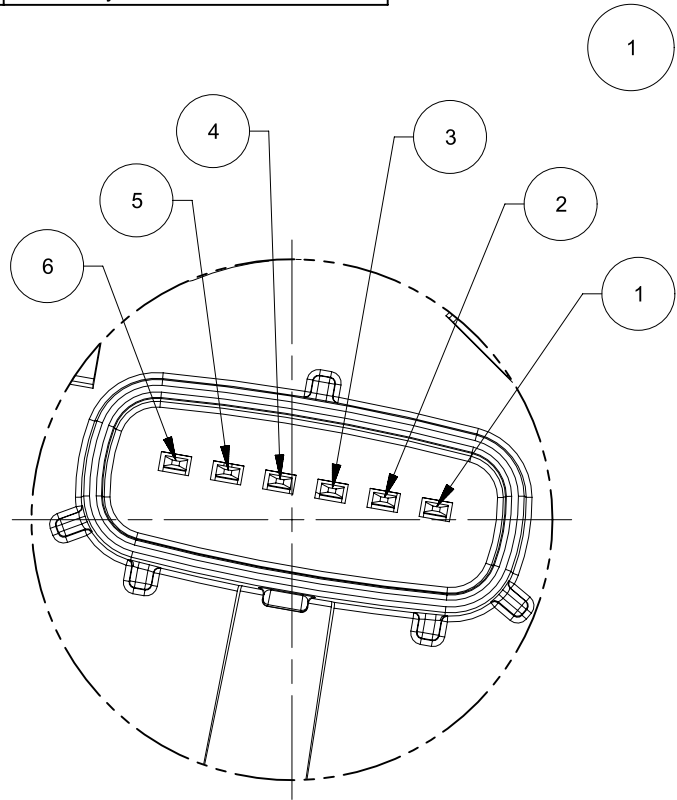
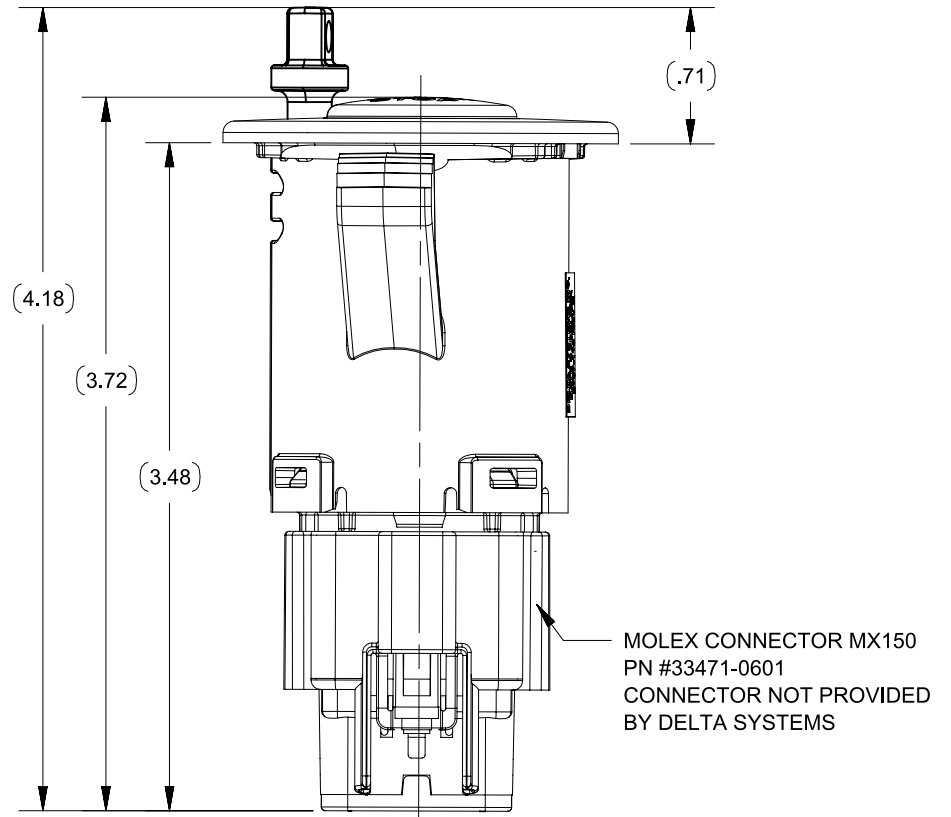
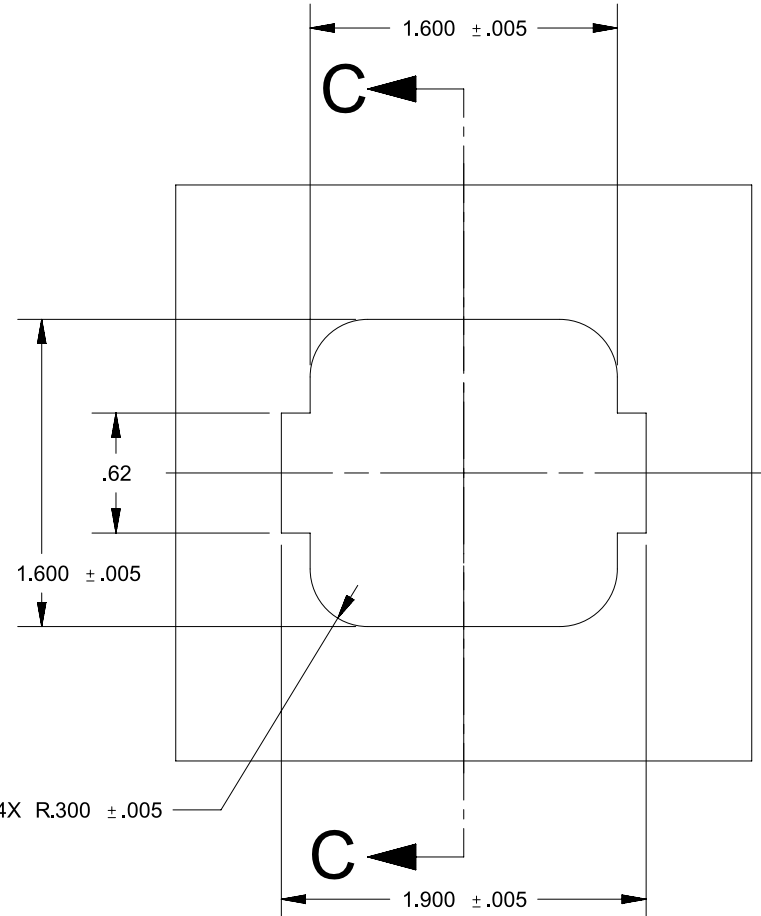
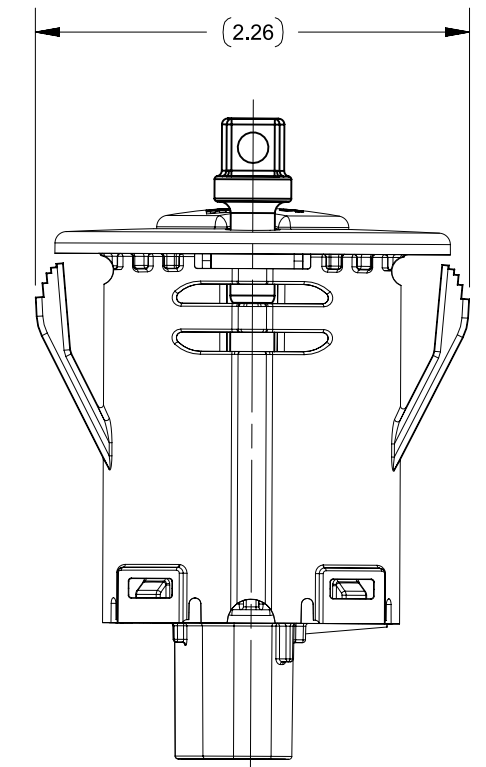
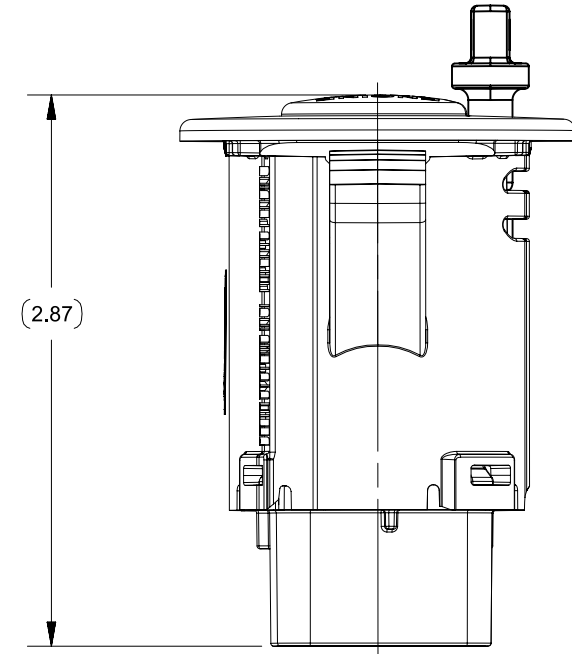
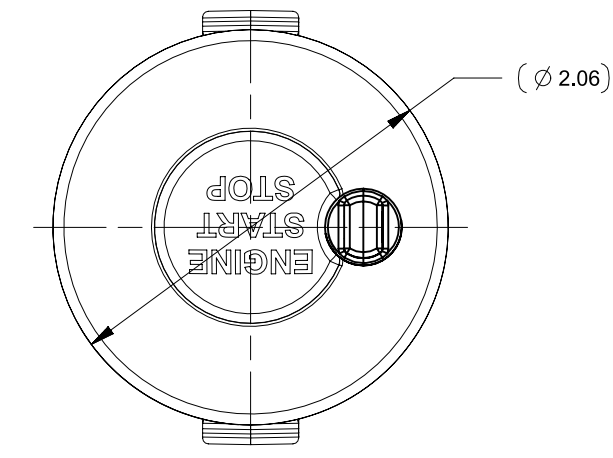


REVISIONS			
REV.	DESCRIPTION	DATE	INIT
0	PRELIMINARY	01/04/2018	RPK
1	CORRECTED PIN ASSIGNMENT BALLOONS, ECO #862	02/21/2018	RPK

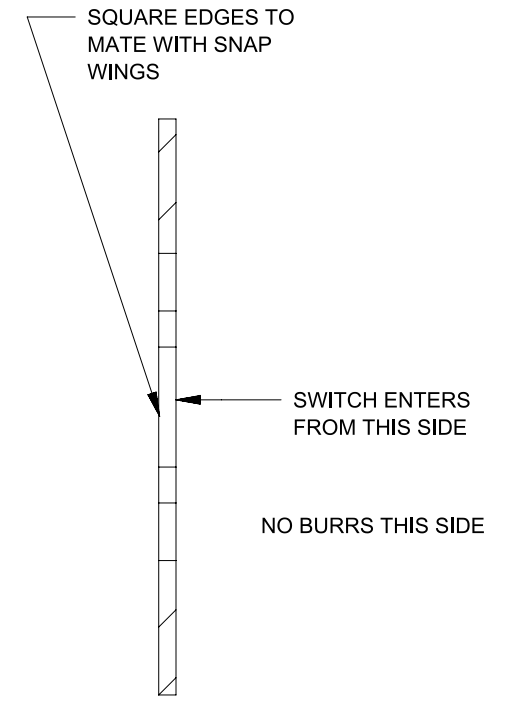
PIN #	FUNCTION
1	M - Magneto / EFI Engine Kill
2	G - Ground
3	S - Starter
4	L - Load / Accessories
5	M/EFI - Magneto / EFI input
6	B - Battery



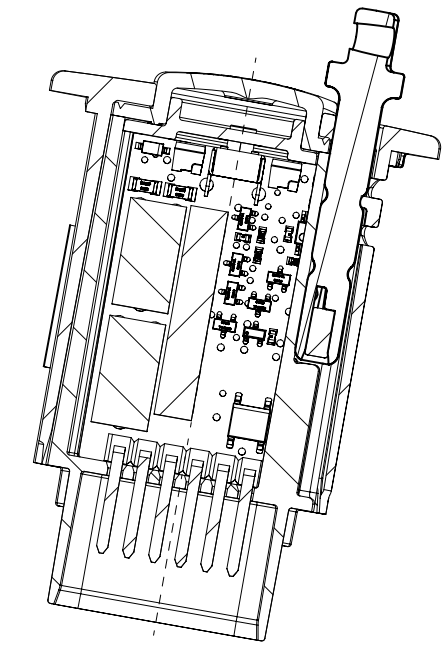
DETAIL B
SCALE 2:1



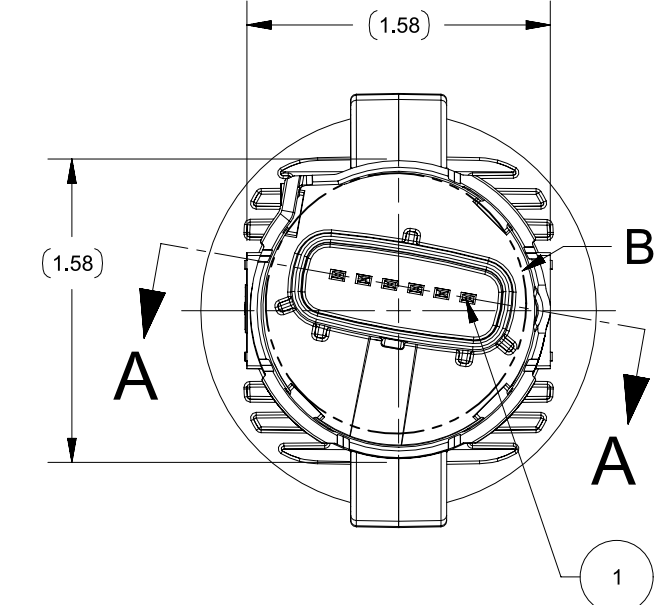
ROTATE HOLE ORIENTATION 90° TO ACHIEVE ALTERNATE KEY FOB LOCATIONS
RECOMMENDED MOUNTING HOLE FOR .048 MAX. .060 MAX. .105 MAX. .165 MAX. PANEL THICKNESS
(THICKNESS INCLUDES PAINT AND ANY OTHER COVERINGS APPLIED TO PANEL, OTHER PANEL THICKNESS NOT RECOMMENDED)



SECTION C-C



SECTION A-A



- NOTES:
- MUST BE IN COMPLIANCE WITH DIRECTIVE 2011/65/EU OF THE EUROPEAN PARLIAMENT AND THE COUNCIL OF 8 JUNE 2011 ON THE RESTRICTION OF THE USE OF CERTAIN HAZARDOUS SUBSTANCES IN ELECTRICAL AND ELECTRONIC EQUIPMENT (ROHS DIRECTIVE)
 - HOUSINGS ARE BLACK POLYPROPYLENE 13%-GF, KEY IS ACETAL 13%-GF, BUTTON IS GENERAL SILICONE BLACK 55 SHORE A
 - SWITCH MODULE PASSES IP67 TESTING WITH MOLEX MX150 CONNECTOR PN# 33471-0601 ASSEMBLED.
 - OPERATING TEMPERATURE RANGE -40°C TO +85°C
 - OPERATING VOLTAGE RANGE 9V - 16V DC
 - OPERATING CURRENT 200mA
 - DATE CODE ANY NON-FUNCTIONAL, NON-AESTHETIC SURFACE PER MFG SPEC #1640.
 - INTERPRET THIS DRAWING IN ACCORDANCE WITH ASME Y14.5-2009

PRELIMINARY

PROPRIETARY & CONFIDENTIAL THE INFORMATION CONTAINED IN THIS DRAWING IS THE SOLE PROPERTY OF DELTA SYSTEMS. ANY REPRODUCTION IN PART OR AS A WHOLE WITHOUT THE WRITTEN PERMISSION OF DELTA SYSTEMS IS PROHIBITED.	UNLESS OTHERWISE SPECIFIED DIMENSIONS ARE IN INCHES TOLERANCES ARE: .X ± .1 .XX ± .02 .XXX ± .005 X° ± 1	DRAWN rkawolics DATE 04-Jan-2018	1734 FROST ROAD STREETSBORO, OHIO 44241 330-626-2811 WWW.DELTASYSTEMSINC.COM
		CHECKED dzlatic DATE 21-Feb-2018	
DELTA SYSTEMS INC. DOES NOT ASSUME ANY LIABILITY ARISING OUT OF THE MISAPPLICATION OF ANY PRODUCT	COMPUTER GENERATED DRAWING - NO MANUAL CHANGES ALLOWED	APPROVED ikirbawy DATE 22-Feb-2018	PROJECTED VIEWS ARE 3RD ANGLE
		MATERIAL SEE NOTES FINISH -	TITLE 2067-105_APP SIZE C DWG. NO. 2067-105_APP STATUS DS4_Design
DO NOT SCALE DRAWING		SCALE NTS	SHEET 1 OF 1 PROJECT NO. - REVISION 1