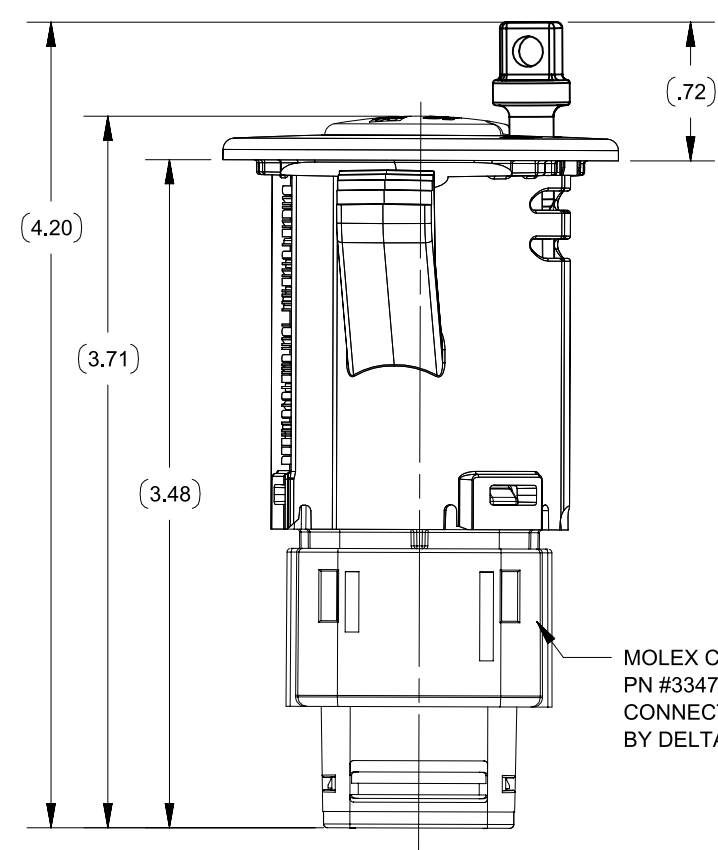
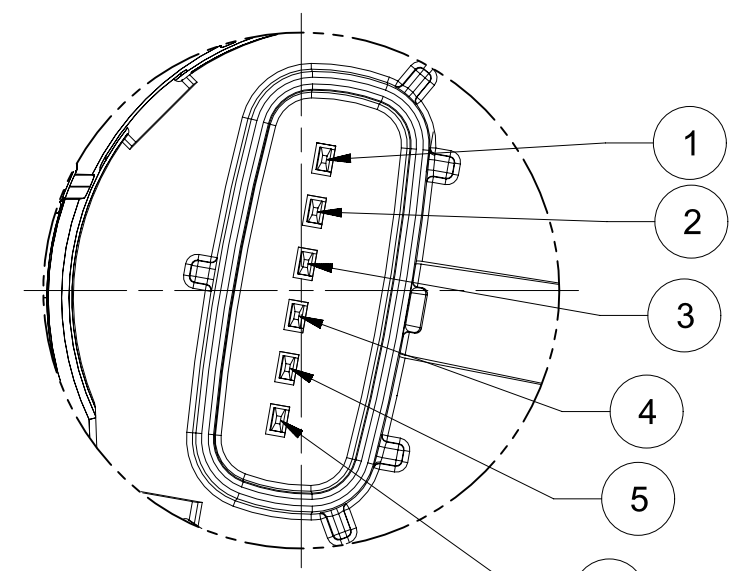


| REVISIONS | | | |
|-----------|---|------------|------|
| REV. | DESCRIPTION | DATE | INIT |
| 0 | INITIAL RELEASE | 11/02/2016 | RPK |
| 1 | SEE PART #74755 REV 6, 3.33 WAS 3.24, 2.86 WAS 2.77, ECO #726 | 03/14/2017 | RPK |
| 2 | 74754 REV 7 WAS REV 6 | 01/03/2018 | RPK |

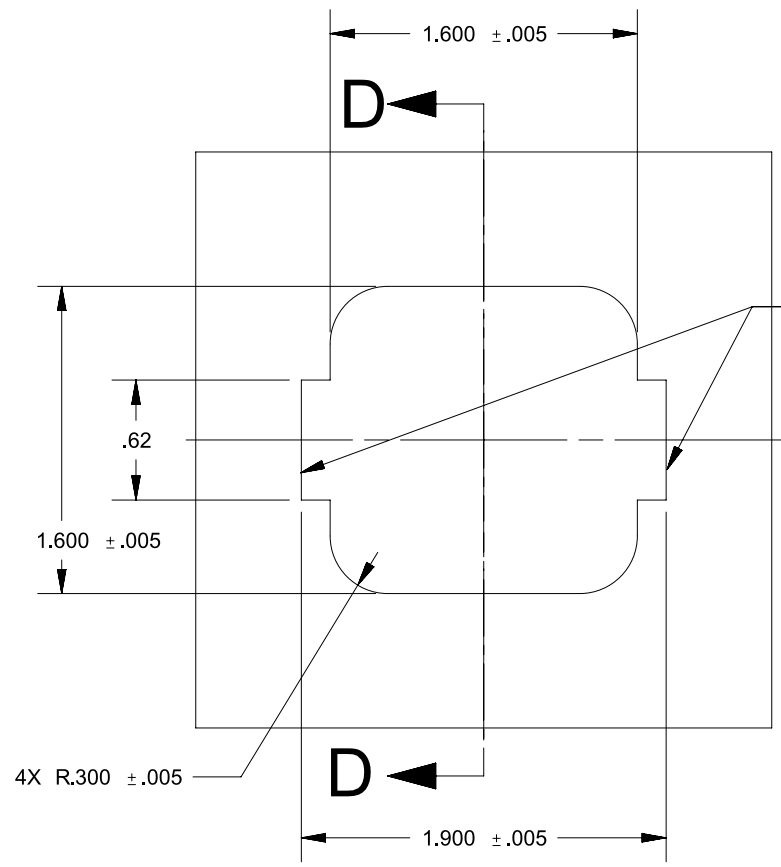
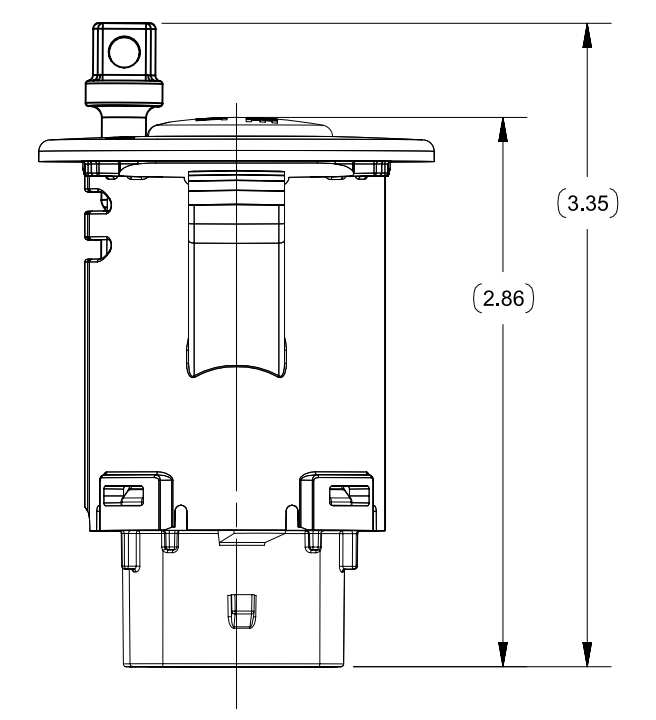
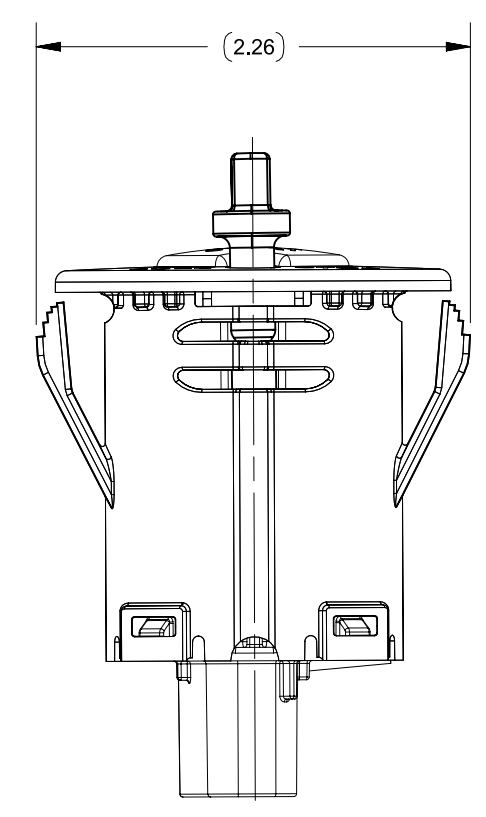
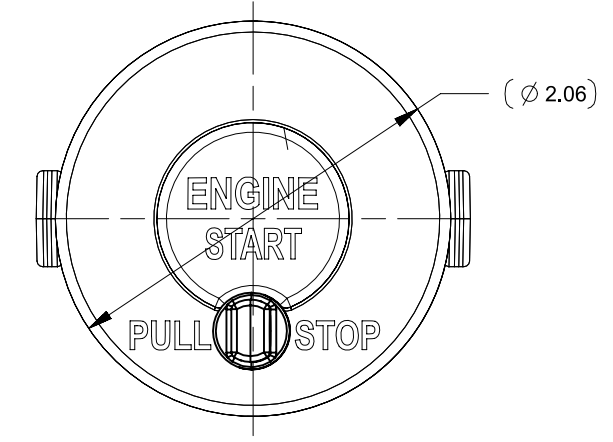


MOLEX CONNECTOR MX150
PN #33471-0601
CONNECTOR NOT PROVIDED
BY DELTA SYSTEMS

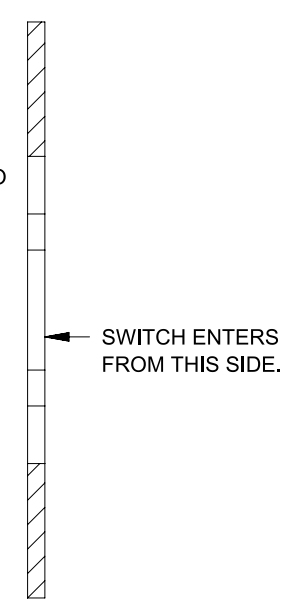
| PIN # | FUNCTION |
|-------|--------------|
| 1 | STARTER |
| 2 | ACCESSORIES |
| 3 | MAGNETO COMM |
| 4 | MAGNETO N.C. |
| 5 | - GROUND |
| 6 | + BATTERY |



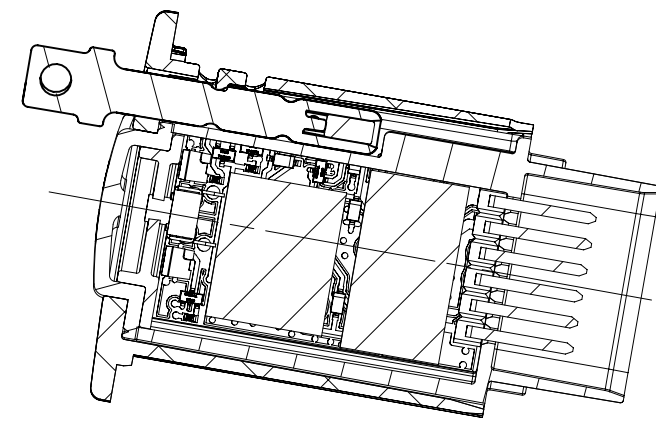
DETAIL B
SCALE 2:1



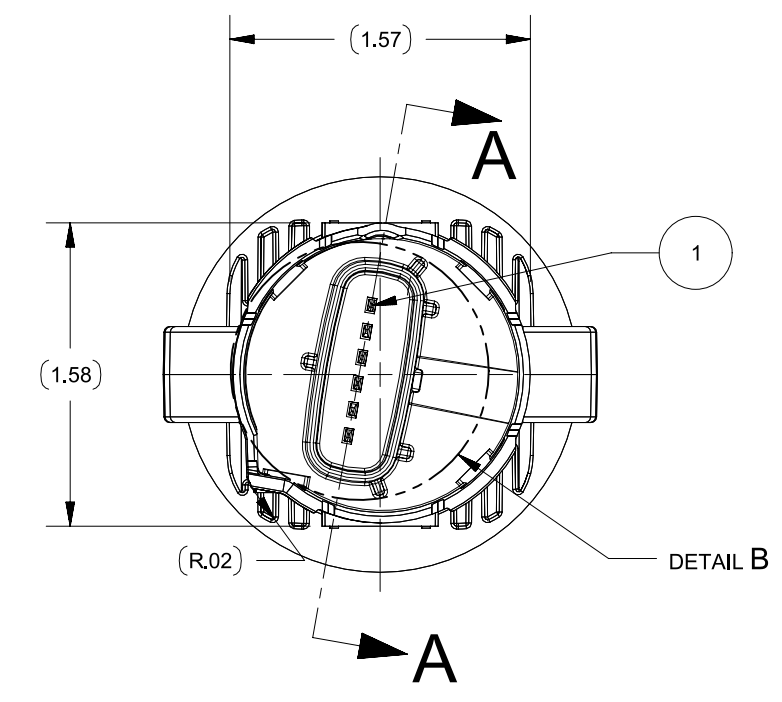
SQUARE EDGES TO
MATE WITH SNAP
WINGS.



SECTION D-D



SECTION A-A



DETAIL B

ROTATE HOLE ORIENTATION 90° TO
ACHIEVE ALTERNATE KEY FOB LOCATIONS.

RECOMENDED MOUNTING HOLE
FOR .048 MAX. .060 MAX.
.105 MAX. .165 MAX.
PANEL THICKNESS

(THICKNESS INCLUDES PAINT AND ANY
OTHER COVERINGS APPLIED TO PANEL,
OTHER PANEL THICKNESS NOT RECOMMENDED)

- NOTES:
- MUST BE IN COMPLIANCE WITH DIRECTIVE 2011/65/EU OF THE EUROPEAN PARLIAMENT AND THE COUNCIL OF 8 JUNE 2011 ON THE RESTRICTION OF THE USE OF CERTAIN HAZARDOUS SUBSTANCES IN ELECTRICAL AND ELECTRONIC EQUIPMENT (ROHS DIRECTIVE)
 - HOUSINGS ARE BLACK POLYPROPYLENE 13%-GF, KEY IS ACETAL 13%-GF, BUTTON IS GENERAL SILICONE BLACK 55 SHORE A
 - SWITCH MODULE PASSES IP67 TESTING WITH MOLEX MX150 CONNECTOR PN# 33471-0601 ASSEMBLED.
 - OPERATING TEMPATURE RANGE -40°C TO +85°C
 - OPERATING VOLTAGE RANGE 9V - 16V DC
 - OPERATING CURRENT 200mA
 - DATE CODE ANY NON-FUNCTIONAL, NON-AESTHETIC SURFACE PER MFG SPEC #1640.
 - INTERPRET THIS DRAWING IN ACCORDANCE WITH ASME Y14.5-2009

| | | | | |
|--|---|-----------------------|---------------------|---|
| PROPRIETARY & CONFIDENTIAL THE INFORMATION CONTAINED IN THIS DRAWING IS THE SOLE PROPERTY OF DELTA SYSTEMS. ANY REPRODUCTION IN PART OR AS A WHOLE WITHOUT THE WRITTEN PERMISSION OF DELTA SYSTEMS IS PROHIBITED. | UNLESS OTHERWISE SPECIFIED DIMENSIONS ARE IN INCHES TOLERANCES ARE: .X ± .1 .XX ± .02 .XXX ± .005 X° ± 1 | DRAWN rkawolics | DATE 18-Oct-2016 | 1734 FROST ROAD STREETSBORO, OHIO 44241 330-626-2811 WWW.DELTASYSTEMSINC.COM |
| | | CHECKED bwetrich | DATE 18-Oct-2016 | |
| DELTA SYSTEMS INC. DOES NOT ASSUME ANY LIABILITY ARISING OUT OF THE MISAPPLICATION OF ANY PRODUCT | COMPUTER GENERATED DRAWING - NO MANUAL CHANGES ALLOWED | APPROVED ikirbaw | DATE 07-Nov-2016 | TITLE 2067-101_APP |
| | | MATERIAL SEE NOTES | FINISH - | PROJECTED VIEWS ARE 3RD ANGLE |
| DO NOT SCALE DRAWING | | STATUS DS4_Design | SCALE NTS | SHEET 1 OF 1 |
| | | PROJECT NO. 032 | | REVISION 2 |