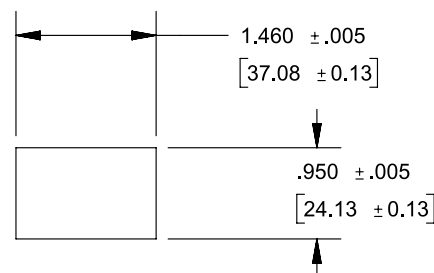


8 7 6 5 4 3 2 1

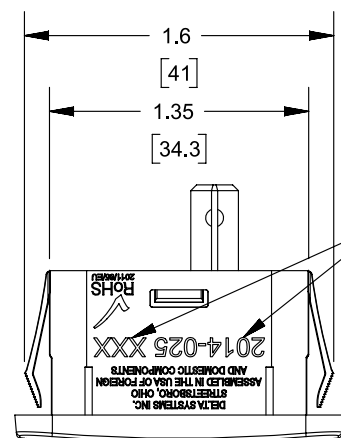
REVISIONS

REV.	DESCRIPTION	DATE	INIT
0	INITIAL RELEASE	12/01/17	IDK
1	OPERATING TEMP +70°C WAS +80°C, OPERATING HUMIDITY 66°C WAS 75°C	05/21/18	NMP

RECOMMENDED MOUNTING HOLE



TOTAL MOUNTING PANEL THICKNESS RANGE
0.060-0.200" [1.52-5.08]
RECOMMENDED CUSTOMER PANEL SHOULD BE
DESIGNED & MANUFACTURED SO THAT METER
MOUNTING WINGS ENGAGE WITH A SQUARE EDGE



NOTES

1-DIMENSIONS IN BRACKETS [] ARE IN MILLIMETERS. MILLIMETER TOLERANCES ARE: 0.X±0.5, 0.XX±0.15

2-HOUSING IS CLEAR POLYCARBONATE AND FACEPLATE IS BLACK POLYCARBONATE/ABS

3-ASSEMBLY SEALED TO IP67

4-ENVIRONMENTAL TEST SPECIFICATIONS:

- ① * CHEMICAL RESISTANCE: SUNLIGHT, WATER, OIL AND BATTERY ACID
- ① * OPERATING TEMPERATURE: -30 TO +70 DEG CELSIUS
- ① * OPERATING HUMIDITY: 66 DEG CELSIUS, 95% RH, 18 HRS
- * MECHANICAL VIBRATION:
RANDOM - 50 TO 2000 HZ, 52.4 M/S/S
SINUSOIDAL - 10 TO 55 HZ, 0.54 MM RMS
- * MECHANICAL SHOCK: 400 MM DROP (BENCH TEST)

5-ASSEMBLY DATE CODED TO YEAR, MONTH AND DAY OF MANUFACTURE PER DELTA MFG SPEC #1640

6-OPERATING VOLTAGE: 9 TO 16 VDC

7-OPERATING CURRENT: MAXIMUM 6 mA AT 12 VDC, 25 DEG CELSIUS

8-CLOCK ACCURACY: +/-5% OVER OPERATING TEMP; ±2% @ 25°C

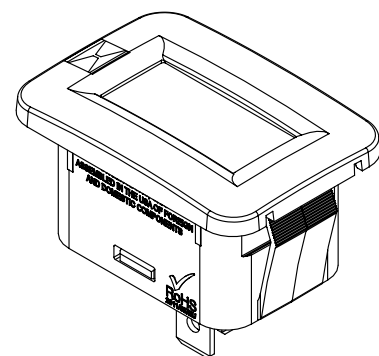
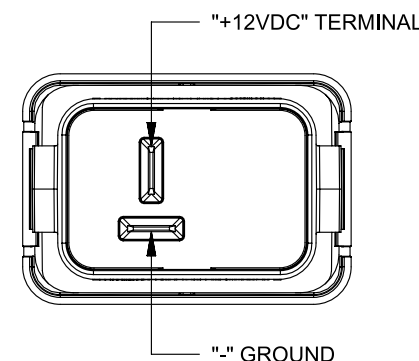
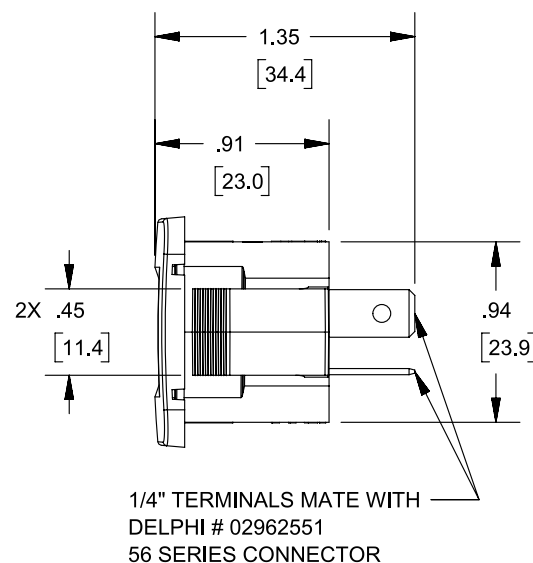
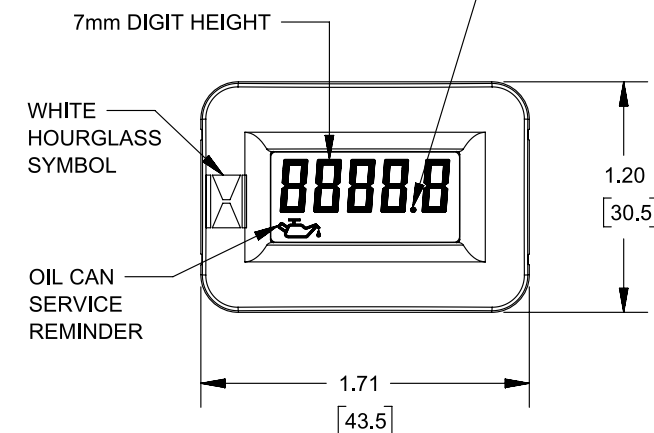
9-U.S. PATENT #6,655,975

10-SERVICE REMINDER: THE DISPLAY WILL TURN ON THE OIL CAN ICON EVERY 50 HOURS AND WILL STAY ON FOR 2 HOUR OR UNTIL A MANUAL RESET OCCURS. A MANUAL RESET REQUIRES THE USER TO CYCLE POWER ON THEN OFF FIVE TIMES (1SEC ON, 1 SEC OFF)

11-TYPICAL VIEWING ANGLE: 12 O'CLOCK

12-MUST BE IN COMPLIANCE WITH DIRECTIVE 2011/65/EU OF THE EUROPEAN PARLIAMENT AND THE COUNCIL OF 08 JUNE 2011 ON THE RESTRICTION OF THE USE OF CERTAIN HAZARDOUS SUBSTANCES IN ELECTRICAL AND ELECTRONIC EQUIPMENT (ROHS DIRECTIVE)

5 DIGIT DISPLAY TO TENTHS OF HOURS
FLASHING DECIMAL POINT WHILE IN USE



<p>PROPRIETARY & CONFIDENTIAL THE INFORMATION CONTAINED IN THIS DRAWING IS THE SOLE PROPERTY OF DELTA SYSTEMS. ANY REPRODUCTION IN PART OR AS A WHOLE WITHOUT THE WRITTEN PERMISSION OF DELTA SYSTEMS IS PROHIBITED.</p> <p>DELTA SYSTEMS INC. DOES NOT ASSUME ANY LIABILITY ARISING OUT OF THE MISAPPLICATION OF ANY PRODUCT</p>	<p>UNLESS OTHERWISE SPECIFIED DIMENSIONS ARE IN INCHES TOLERANCES ARE:</p> <p>.X± .1 .XX± .02 .XXX± .005 X°± 1°</p> <p>COMPUTER GENERATED DRAWING - NO MANUAL CHANGES ALLOWED</p>	<p>DRAWN ikirbaw</p>	<p>DATE 01-Dec-2017</p>	<p>DELTA SYSTEMS 1734 FROST ROAD STREETSBORO, OHIO 44241 330-626-2811 WWW.DELTASYSTEMSINC.COM</p>	
		<p>CHECKED rkawolics</p>	<p>DATE 01-Dec-2017</p>		
<p>APPROVED ikirbaw</p>	<p>DATE 14-Dec-2017</p>	<p>MATERIAL SEE NOTES</p>	<p>PROJECTED VIEWS ARE 3RD ANGLE</p>		<p>TITLE Module, Display, Hourmeter, Key On w Oil Can Icon</p>
<p>DO NOT SCALE DRAWING</p>	<p>STATUS DS4_Design</p>	<p>FINISH</p>	<p>SCALE NTS</p>	<p>SIZE B</p>	<p>DWG. NO. 2014-025_APP</p>
		<p>SHEET 1 OF 1</p>	<p>PROJECT NO. 039</p>	<p>REVISION 1</p>	

8 7 6 5 4 3 2 1