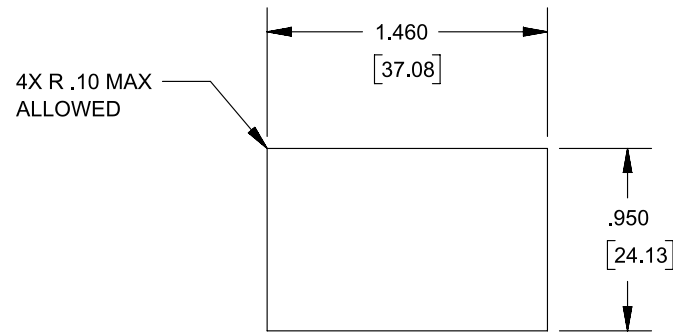


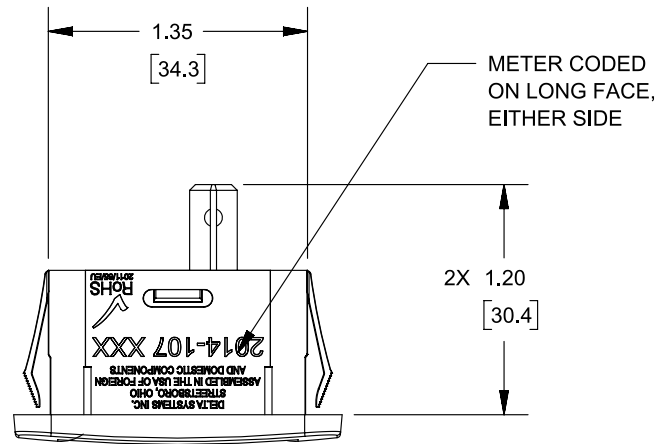
REVISIONS			
REV.	DESCRIPTION	DATE	INIT
0	INITIAL RELEASE	09/14/17	IDK

RECOMMENDED MOUNTING HOLE

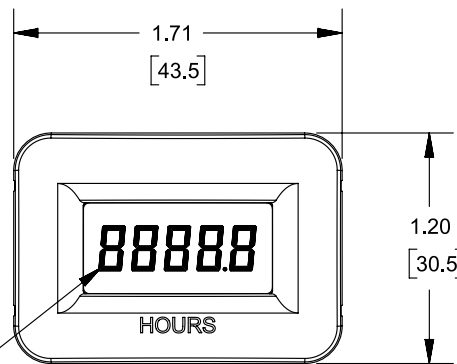
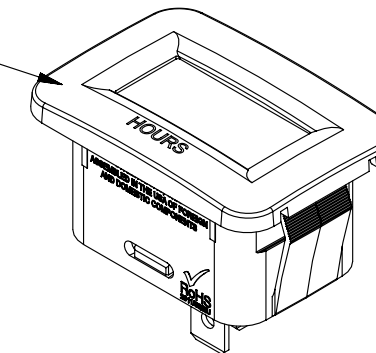


TOTAL MOUNTING PANEL THICKNESS RANGE  
0.060-0.200  
[1.52-5.08]

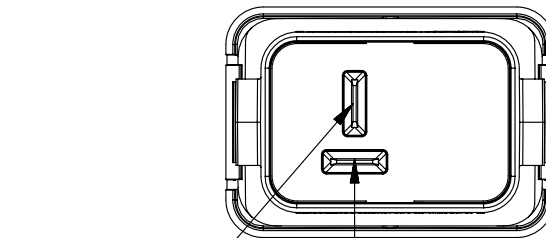
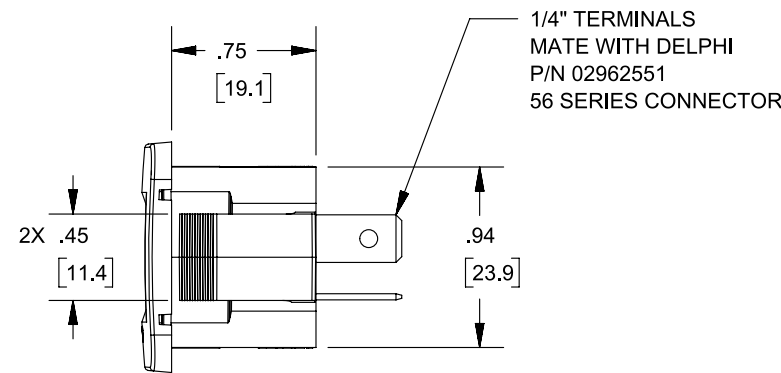
RECOMMENDED CUSTOMER PANEL SHOULD BE  
DESIGNED & MANUFACTURED SO THAT METER  
MOUNTING WINGS ENGAGE WITH A SQUARE EDGE



TOP FACE TO BE TEXTURED



5 DIGIT DISPLAY TO TENTHS OF HOURS  
FLASHING DECIMAL POINT WHILE IN USE



TERMINAL 2 (CAN BE + OR - CONNECTION)  
TERMINAL 1 (CAN BE + OR - CONNECTION)

OPERATING VOLTAGES:  
DC: ± 8 TO 50 VDC  
AC: 9 TO 55 VAC RMS  
GREATER THAN 10 HZ  
MAGNETO PULSE:  
UP TO ± 500 V PEAK

**NOTES**

- 1) DIMENSIONS IN BRACKETS [ ] ARE IN MILLIMETERS WITH THE FOLLOWING TOLERANCE:  
X.X±0.5  
X.XX±0.13
- 2) MATERIAL:  
BACKCOVER: 30% GF NYLON (BLACK)  
FACEPLATE: PC OR PC/ABS (BLACK)  
HOUSING: PC (CLEAR)
- 3) OPTIMUM VIEWING ANGLE: 12 O'CLOCK
- 4) ASSEMBLY DATE CODED TO YEAR, MONTH, AND DAY OF MANUFACTURE PER DELTA MFG SPEC #1640
- 5) ASSEMBLY SEALED TO IP67 WITH DESICCANT INSIDE
- 6) THIS PRODUCT IS COVERED BY THE FOLLOWING US PATENTS: 7,154,814
- 7) INTERPRET THIS DRAWING IN ACCORDANCE WITH ASME Y14.5-2009
- 8) THIS PART IS TO BE IN COMPLIANCE WITH DIRECTIVE 2011/65/EU OF THE EUROPEAN PARLIAMENT AND COUNCIL OF 8 JUNE 2011 ON THE RESTRICTION OF THE USE OF CERTAIN HAZARDOUS SUBSTANCES IN ELECTRICAL AND ELECTRONIC EQUIPMENT (ROHS DIRECTIVE).

PROPRIETARY & CONFIDENTIAL THE INFORMATION CONTAINED IN THIS DRAWING IS THE SOLE PROPERTY OF DELTA SYSTEMS. ANY REPRODUCTION IN PART OR AS A WHOLE WITHOUT THE WRITTEN PERMISSION OF DELTA SYSTEMS IS PROHIBITED. DELTA SYSTEMS INC. DOES NOT ASSUME ANY LIABILITY ARISING OUT OF THE MISAPPLICATION OF ANY PRODUCT	UNLESS OTHERWISE SPECIFIED DIMENSIONS ARE IN INCHES TOLERANCES ARE: .X± .1 .XX± .02 .XXX± .005 X°± 1°	DRAWN ikirbawy	DATE 14-Sep-2017	<p><b>DELTA SYSTEMS</b> 1734 FROST ROAD STREETSBORO, OHIO 44241 330-626-2811 WWW.DELTASYSTEMSINC.COM</p>	
		CHECKED bkral	DATE 23-Apr-2018		
		APPROVED ikirbawy	DATE 08-May-2018		
		MATERIAL N/A	PROJECTED VIEWS ARE 3RD ANGLE 		
FINISH N/A	DO NOT SCALE DRAWING	STATUS DS4_Design	TITLE Module, Display, Hourmeter, Mag-Powered	SIZE B	DWG. NO. 2014-107_APP
SCALE NTS	SHEET 1 OF 1	PROJECT NO. 039	REVISION 0		