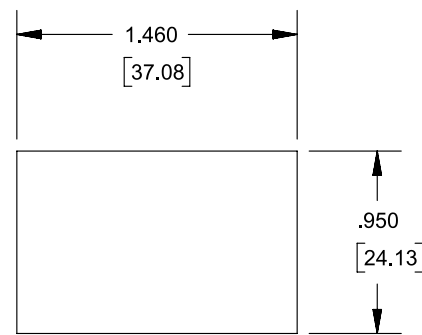


8 7 6 5 4 3 2 1

REVISIONS

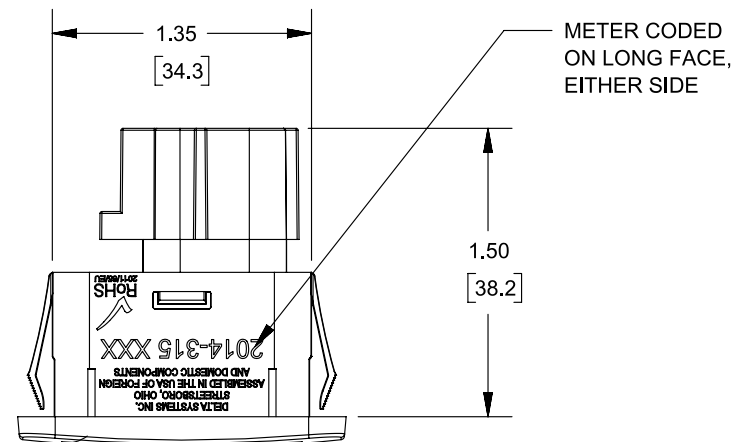
REV.	DESCRIPTION	DATE	INIT
0	INITIAL RELEASE	01/22/18	NMP

RECOMMENDED MOUNTING HOLE

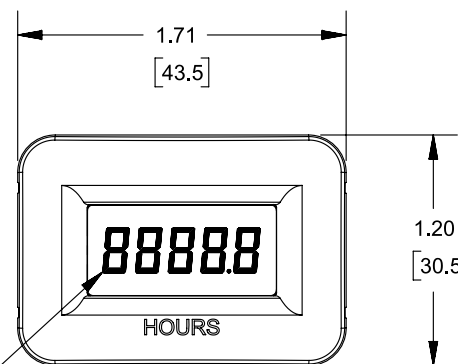
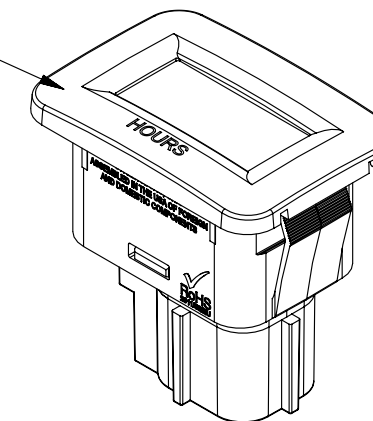


TOTAL MOUNTING PANEL THICKNESS RANGE
0.060-0.200
[1.52-5.08]

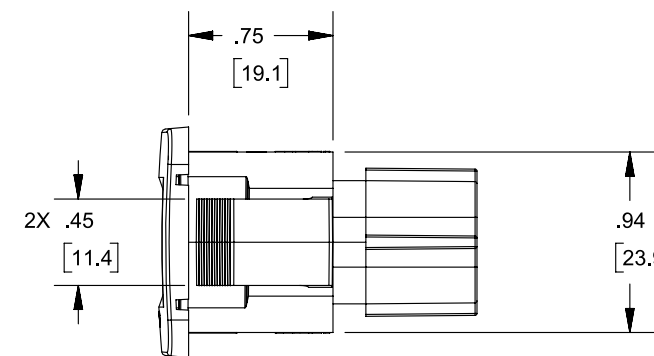
RECOMMENDED CUSTOMER PANEL SHOULD BE DESIGNED & MANUFACTURED SO THAT METER MOUNTING WINGS ENGAGE WITH A SQUARE EDGE



TOP FACE TO BE TEXTURED

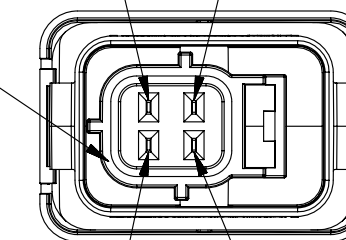


4.5 DIGIT DISPLAY TO TENTHS OF HOURS, FLASHING DECIMAL POINT WHEN IN USE



MAGNETO (C) +12 VDC IN (A)

MATES WITH TE CONNECTIVITY P/N 184392-1



AUXILIARY PROTECTED OUTPUT (D) GROUND (B)

NOTES

- DIMENSIONS IN BRACKETS [] ARE IN MILLIMETERS WITH THE FOLLOWING TOLERANCE:
X.X±0.5
X.XX±0.13
- MATERIAL:
CONNECTOR: 30% GF NYLON (BLACK)
FACEPLATE: PC OR PC/ABS (BLACK)
HOUSING: PC (CLEAR)
- OPERATING VOLTAGE +9 TO +16 VDC
- OPTIMUM VIEWING ANGLE: 12 O'CLOCK
- ASSEMBLY IS SEALED TO IP67 WITH DESICCANT INSIDE
- ASSEMBLY DATE CODED TO YEAR, MONTH, AND DAY OF MANUFACTURE PER DELTA MFG SPEC #1640
- AUXILIARY OUTPUT RATING: 1.0 AMPS DC, MAXIMUM
- THIS PRODUCT IS COVERED BY THE FOLLOWING U.S. PATENT: 7,812,473
- SERVICE REMINDER: THE DISPLAY FLASHES 'CHG' THEN 'OIL' THEN 'HOURS DATA'. THIS OCCURS EVERY 50 HOURS AND LASTS FOR 2 HOURS. I.E. FROM 50.0 TO 52.0 HOURS. USER CANNOT RESET SERVICE REMINDER
- INTERPRET THIS DRAWING IN ACCORDANCE WITH ASME Y14.5-2009
- MUST BE IN COMPLIANCE WITH DIRECTIVE 2011/65/EU OF THE EUROPEAN PARLIAMENT AND THE COUNCIL OF 8 JUNE 2011 ON THE RESTRICTION OF THE USE OF CERTAIN HAZARDOUS SUBSTANCES IN ELECTRICAL AND ELECTRONIC EQUIPMENT (ROHS DIRECTIVE)

PROPRIETARY & CONFIDENTIAL THE INFORMATION CONTAINED IN THIS DRAWING IS THE SOLE PROPERTY OF DELTA SYSTEMS. ANY REPRODUCTION IN PART OR AS A WHOLE WITHOUT THE WRITTEN PERMISSION OF DELTA SYSTEMS IS PROHIBITED.	UNLESS OTHERWISE SPECIFIED DIMENSIONS ARE IN INCHES TOLERANCES ARE: .X± .1 .XX± .02 .XXX± .005 X°± 1°	DRAWN npurdy	DATE 22-Jan-2018	1734 FROST ROAD STREETSBORO, OHIO 44241 330-626-2811 WWW.DELTASYSTEMSINC.COM
		CHECKED bkral	DATE 23-Apr-2018	
APPROVED ikirbawy	DATE 26-Apr-2018	PROJECTED VIEWS ARE 3RD ANGLE	TITLE Hourmeter	
MATERIAL N/A	FINISH N/A		SIZE B	
DELTA SYSTEMS INC. DOES NOT ASSUME ANY LIABILITY ARISING OUT OF THE MISAPPLICATION OF ANY PRODUCT	COMPUTER GENERATED DRAWING - NO MANUAL CHANGES ALLOWED	DO NOT SCALE DRAWING	STATUS DS4_Design	DWG. NO. 2014-315_APP
		SCALE NTS	SHEET 1 OF 1	PROJECT NO. 039
				REVISION 0

8 7 6 5 4 3 2 1