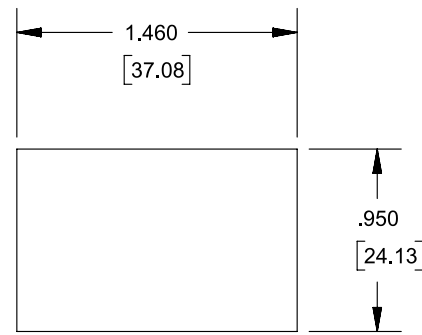


8 7 6 5 4 3 2 1

REVISIONS

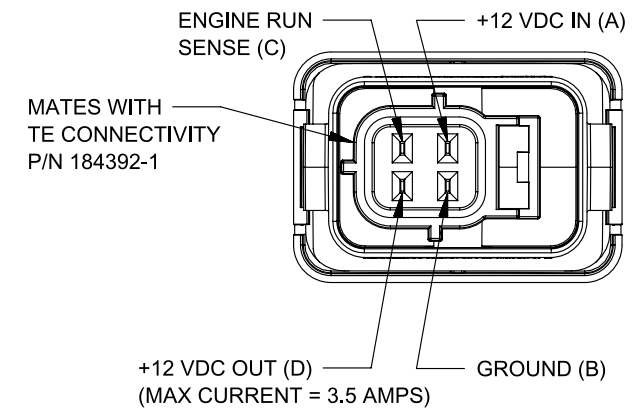
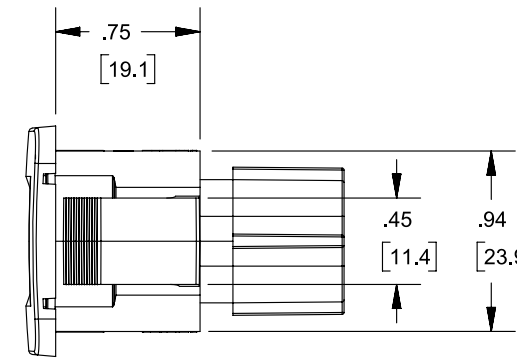
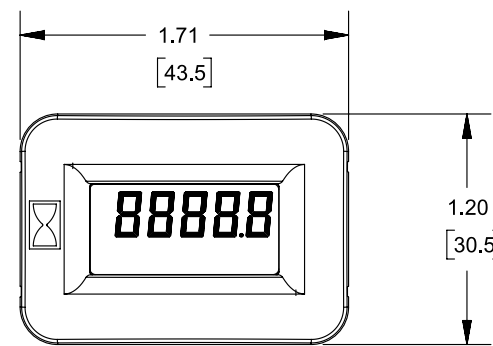
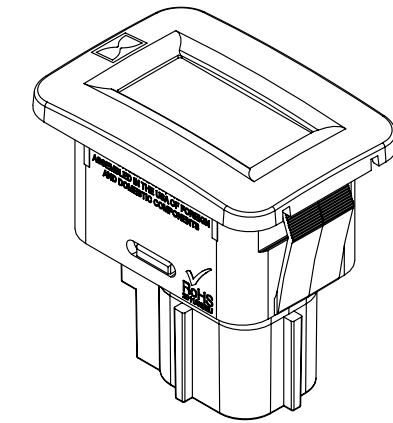
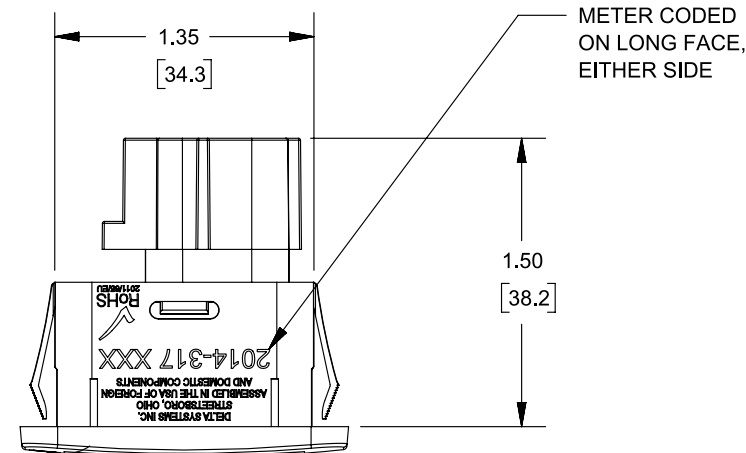
REV.	DESCRIPTION	DATE	INIT
0	INITIAL RELEASE	06/28/18	IDK

RECOMMENDED MOUNTING HOLE



TOTAL MOUNTING PANEL THICKNESS RANGE
0.060-0.200
[1.52-5.08]

RECOMMENDED CUSTOMER PANEL SHOULD BE
DESIGNED & MANUFACTURED SO THAT METER
MOUNTING WINGS ENGAGE WITH A SQUARE EDGE



NOTES

- DIMENSIONS IN BRACKETS [] ARE IN MILLIMETERS WITH THE FOLLOWING TOLERANCE:
X.X ± 0.5
X.XX ± 0.13
- MATERIAL:
CONNECTOR: PC OR PC/ABS (BLACK)
FACEPLATE: PC OR PC/ABS (BLACK)
HOUSING: PC (CLEAR)
- OPERATING VOLTAGE +9 TO +16 VDC
- OPTIMUM VIEWING ANGLE: 6 O'CLOCK
- ASSEMBLY IS SEALED TO IP67 WITH DESSICANT INSIDE
- ASSEMBLY DATE CODED TO YEAR, MONTH, AND DAY OF MANUFACTURE PER DELTA MFG SPEC #1640
- INTERPRET THIS DRAWING IN ACCORDANCE WITH ASME Y14.5-2009
- THIS PRODUCT IS COVERED BY THE FOLLOWING U.S. PATENT: 9,917,502
- MUST BE IN COMPLIANCE WITH DIRECTIVE 2011/65/EU OF THE EUROPEAN PARLIAMENT AND THE COUNCIL OF 8 JUNE 2011 ON THE RESTRICTION OF THE USE OF CERTAIN HAZARDOUS SUBSTANCES IN ELECTRICAL AND ELECTRONIC EQUIPMENT (ROHS DIRECTIVE)

PROPRIETARY & CONFIDENTIAL THE INFORMATION CONTAINED IN THIS DRAWING IS THE SOLE PROPERTY OF DELTA SYSTEMS. ANY REPRODUCTION IN PART OR AS A WHOLE WITHOUT THE WRITTEN PERMISSION OF DELTA SYSTEMS IS PROHIBITED. DELTA SYSTEMS INC. DOES NOT ASSUME ANY LIABILITY ARISING OUT OF THE MISAPPLICATION OF ANY PRODUCT	UNLESS OTHERWISE SPECIFIED DIMENSIONS ARE IN INCHES TOLERANCES ARE: .X ± .1 .XX ± .02 .XXX ± .005 X° ± 1°	DRAWN ikirbawy	DATE 01-Dec-2017	DELTA SYSTEMS 1734 FROST ROAD STREETSBORO, OHIO 44241 330-626-2811 WWW.DELTASYSTEMSINC.COM
		CHECKED dzlatic	DATE 02-Jul-2018	
		APPROVED ikirbawy	DATE 03-Jul-2018	
		MATERIAL N/A	PROJECTED VIEWS ARE 3RD ANGLE 	
FINISH N/A	DO NOT SCALE DRAWING	STATUS DS4_Design	TITLE Module, Display, Hourmeter, Multi Engine Run Sense, Sealed Connector	SIZE B
		SCALE NTS	DWG. NO. 2014-317_APP	SHEET 1 OF 1
			PROJECT NO. 039	REVISION 0

8 7 6 5 4 3 2 1