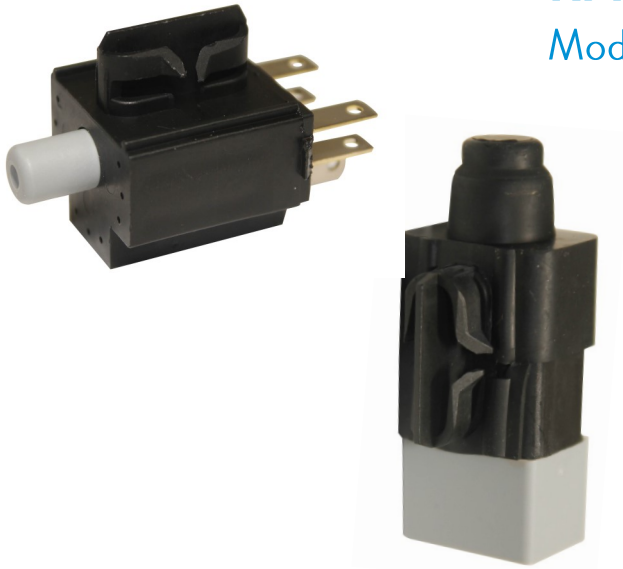


RAIL MOUNT PLUNGER SWITCHES

Model Series 6300/6400/6470



- Mounting Type-Rail
- Allows for quick installation
- One, two or three independent electrical circuits
- RoHS, REACH and Conflict Mineral compliant as noted*

OPERATION

Delta Systems' Plunger Switches are used to sense the position of mechanical linkages and controls. The patented wiping action switch contact prevents carbon buildup, keeping contact resistance low and extending switch life in rugged environments.

ELECTRICAL SPECIFICATIONS

Cycles: Resistive: 75,000, Inductive: 10,000

Operating Voltage: Range: 12-14V_{DC}

Operating Current: 3 Amps

Pre-travel, inches: .40-.150

Operating Temperature Range: -20 °F to 150 °F

Storage Temperature: -30 °F to 150 °F

ENVIRONMENTAL RATINGS

Exposure	Specification
Ingress Protection	IEC IP67
Salt Fog	ASTM B117. 96 hours
Chemical Resistance	ASTM Ref C Fuel, Diesel Fuel, Oil, Antifreeze, Freon, Paint, Latex, Gasoline, Gas with 10% ethanol, WD-40, Battery Acid, Ammoniated Glass Cleaner, Kerosene, GOJO®, Fertilizer

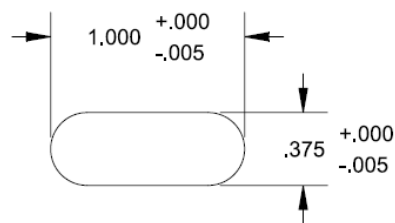
AVAILABLE CONFIGURATIONS

Rail Mount Only

Product Line	Part Number	Electrical Configuration	Mounting Type	Mating Connector	Environmental Rating	IP67
Plungers - Basic	6300-001*	NO/NC/NC	Rail	Delta 972367	Unsealed	No
Plungers - Basic	6300-004*	NC/NO/NO	Rail	Delta 972367	Unsealed	No
Plungers - Basic	6301-001*	NO/NC/NC	Rail	Delta 972367	Unsealed	No
Plungers - Basic	6400-20	NO	Rail	Delphi 2973872	Unsealed	No
Plungers - Basic	6400-81	NC	Rail	Delphi 2973872	Unsealed	No
Plungers - Basic	6400-81AP	NC	Rail	Delphi 2973872	Unsealed	No
Plungers - Basic	6400-82	NO	Rail	Delphi 2973872	Unsealed	No
Plungers - Basic	6400-82AP	NO	Rail	Delphi 2973872	Unsealed	No
Plungers - Basic	6400-84	NO/NC	Rail	Delphi 2977048	Unsealed	No
Plungers - Basic	6400-85	NO/NO	Rail	Delphi 2977048	Unsealed	No
Plungers - Basic	6400-86	NC/NC	Rail	Delphi 2977048	Unsealed	No
Plungers - Basic	6400-94	NO/NC	Rail	Delphi 2977048	Unsealed	No
Plungers - Basic	6401-64*	NC/NO	Rail	Delphi 2977048	Unsealed	No
Plungers - Basic	6405-84*	NO/NC	Rail	Delphi 2977048	Splash-proof Connector	No
Plungers - Sealed	6470-82	NO/NO	Rail	Molex MX150 Series 33472-0801	Sealed Connector	Yes
Plungers - Sealed	6470-84	NC/NO	Rail	Molex MX150 Series 33472-0801	Sealed Connector	Yes

Note: * Not RoHS, REACH and Conflict Mineral compliant

MOUNTING



RECOMMENDED MOUNTING SLOT SWITCH WILL ACCEPT .108 & .170 PANEL THICKNESSES INCLUDING PAINT, DECALS, ETC

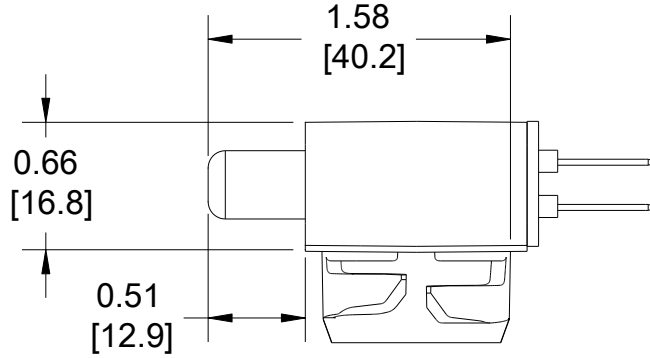
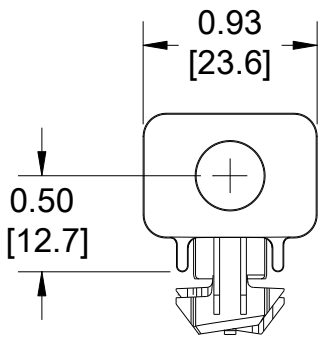
*SQUARE EDGE REQUIRED ON WING RETENTION SIDE OF SLOT

6300 and 6400 series switches mate with .108 and .170 thick panels. 6470 series switch mate with .108 thick panel. 6301 and 6401 series switches mate with 2mm and 5mm thick panels.

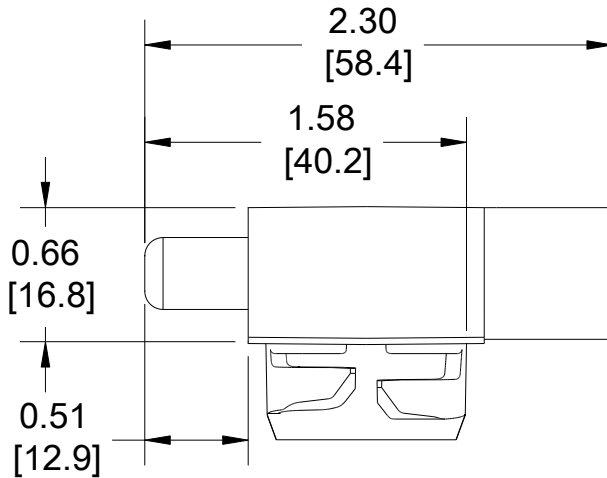
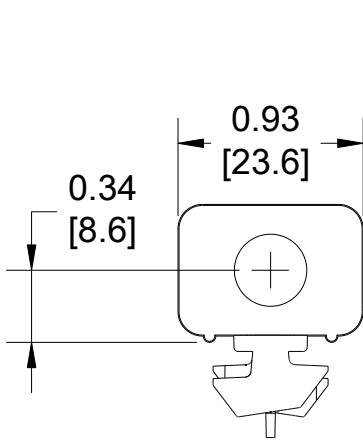
Panel thicknesses include paint, overlays, decals and any other coverings. A square edge is required on the wing retention side of the mounting slot.

DIMENSIONS

Note: For specific Part information please refer to the Application print.

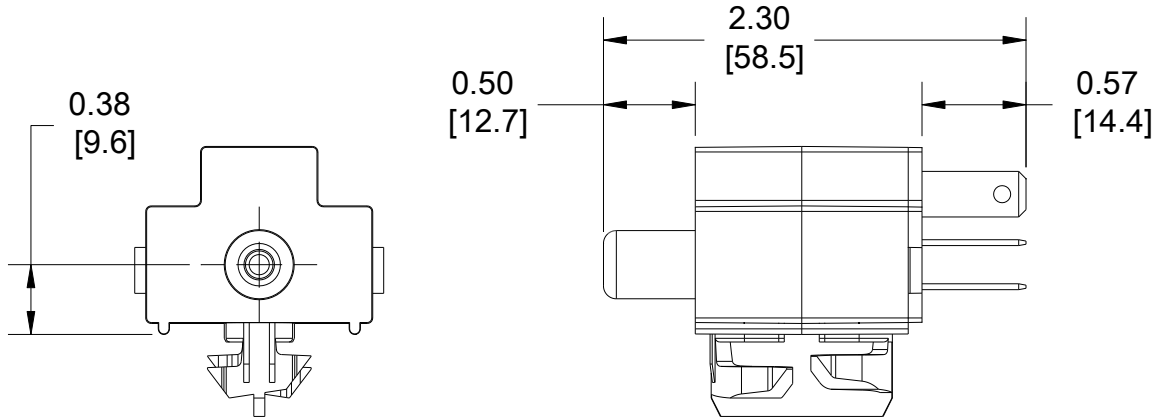


Two Pole



DIMENSIONS

Three Pole



ACCESSORIES

Item #	Manufacturer	Description
972367	Delta Systems	Connector Housing-3 Pole
2973872	Delphi	Female Connector-2 Way
2977048	Delphi	Female Connector-4 Way
33472-0801	Molex	MX-150 Connector
9913	Delta	Rail Housing Boot

Note: Life expectancy and switch performance are largely dependent on application. It is the user's responsibility to determine suitability of this product for the application. This information is intended as a guide for proper application.