

SEALED UNIVERSAL PTO

Model Series 6205



- Ingress Protection IP67
- Mounting Type-Snap In
- Rugged and Ergonomic
- 3-year Warranty

OPERATION

Delta's push-pull switches protect your equipment as it is continuously being exposed to water, debris, dust and salt. Delta Systems' Sealed Universal PTO offers a universal and flexible sealed solution for harsh environments. The Sealed Universal PTO is rated for (10mA) up to high clutch amperages (10A). The PTO knob can be customized for color and graphics.

ELECTRICAL SPECIFICATIONS

Cycles: Resistive: 100,000, Inductive: 40,000
 Operating Voltage: Range: 9V-16V
 Operating Current: 10mA-10Amps
 Contact Resistance = 50mOhms max, New at 10mA, 12V_{DC}
 Molex MX-150 Sealed Connector



ENVIRONMENTAL RATINGS

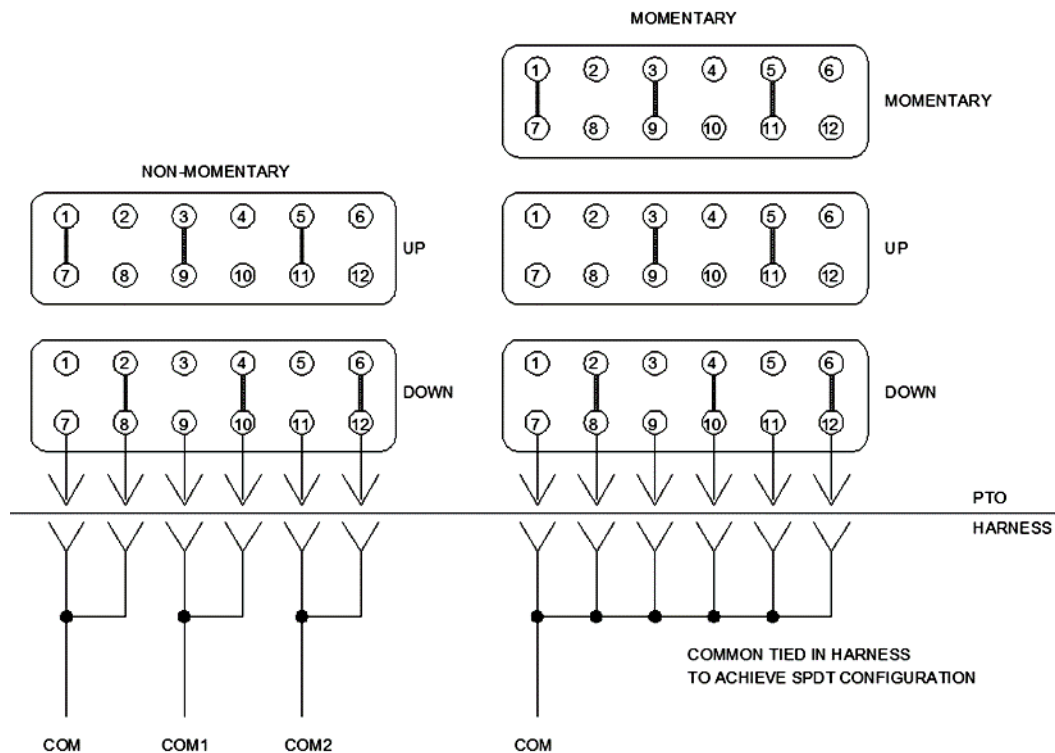
Exposure	Specification
Ingress Protection	IP67, with sealed mating connector
Operating Temperature Range	-40 °C to 85 °C
Humidity	95% Relative Humidity, non-condensing
Pressure Wash	Pressure wash per EP455-5.6 3000PSI, Front Surface Only
Chemical Resistance	EP455 – 5.8 Brush: Gasoline, Diesel Fuel, Hydraulic Oil, Engine Oil, Bug Repellent DEET, Salt Water Solution, Wax, Sunscreen, Insect Killer, Weed Killer, Liquid Fertilizer, Bleach Disinfectant Spray, Mole Repellent, Bleach, Ammonia, Isopropyl Alcohol, De-greaser and Battery Acid

SEALED UNIVERSAL PTO SWITCHES

Model Series 6205

AVAILABLE CONFIGURATIONS

Product Line	Part number	Electrical Config	Knob Style	Knob Color	Current Rating, Amps	# of Positions	IP67
PTO - Sealed	6205-122A	Universal	1.4" Diameter	Red	10	2	Yes
PTO - Sealed	6205-122B	Universal	1.4" Diameter	Red	10	2	Yes
PTO - Sealed	6205-131A	Universal	1.4" Diameter	Yellow	10	2	Yes
PTO - Sealed	6205-131B	Universal	1.4" Diameter	Yellow	10	2	Yes
PTO - Sealed	6205-131C	Universal	1.4" Diameter	Yellow	10	2	Yes



DIMENSIONS

Note: For specific Part information please refer to the Application print.

Note: Life expectancy and switch performance are largely dependent on application. It is the user's responsibility to determine suitability of this product for the application. This information is intended as a guide for proper application.