

SNAP MOUNT PLUNGER SWITCHES

Model Series 6700/6710/6711



- Snap mount configurations
- Allows for quick installation
- One or two independent electrical poles
- RoHS, REACH and Conflict Mineral compliant as noted*

OPERATION

Delta Systems' Plunger Switches are used to sense the position of mechanical linkages and controls. The patented wiping action switch contact prevents carbon buildup, keeping contact resistance low and extending switch life in rugged environments.

ELECTRICAL SPECIFICATIONS

Cycles: Resistive: 75,000, Inductive: 10,000

Operating Voltage: Range: 12-14V_{DC}

Operating Current: 3 Amps

Pre travel : .40-.150 inches

Operating Temperature Range: -20 °F to 150 °F

ENVIRONMENTAL RATINGS

| Exposure | Specification |
|---------------------|---|
| Salt Fog | ASTM B117. 96 hours |
| Chemical Resistance | ASTM Ref C Fuel, Diesel Fuel, Oil, Antifreeze, Freon, Paint, Latex, Gasoline, Gas with 10% ethanol, WD-40, Battery Acid, Ammoniated Glass Cleaner, Kerosene, GOJO® Fertilizer |

AVAILABLE CONFIGURATIONS

Snap Mount Only

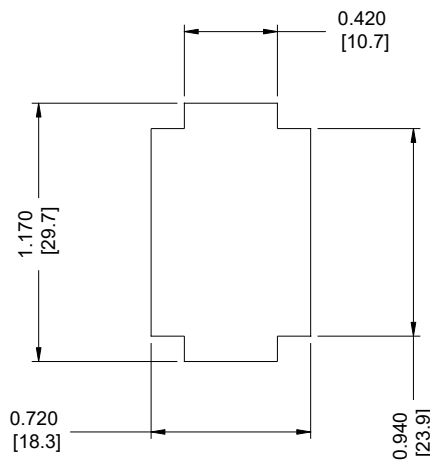
| Product Line | Part Number | Electrical Configuration | Mounting Type | Mating Connector | Environmental Rating |
|------------------|-------------|--------------------------|---------------|------------------|------------------------|
| Plungers - Basic | 6700-01B | NO/NC | Snap | Delphi 2977048 | Unsealed |
| Plungers - Basic | 6700-30 | NO | Snap | Delphi 2973872 | Unsealed |
| Plungers - Basic | 6700-31 | NC | Snap | Delphi 2973872 | Unsealed |
| Plungers - Basic | 6700-50B | NO/NO | Snap | Delphi 2977048 | Unsealed |
| Plungers - Basic | 6700-51B | NC/NC | Snap | Delphi 2977048 | Unsealed |
| Plungers - Basic | 6710-01B | NO/NC | Snap | Delphi 2977048 | Splash-proof Plunger** |
| Plungers - Basic | 6710-31 | NC | Snap | Delphi 2973872 | Splash-proof Plunger** |
| Plungers - Basic | 6710-50B* | NO/NO | Snap | Delphi 2977048 | Splash-proof Plunger** |
| Plungers - Basic | 6711-31* | NC | Snap | Delphi 2973872 | Splash-proof Plunger** |

* Not RoHS, REACH and Conflict Mineral compliant

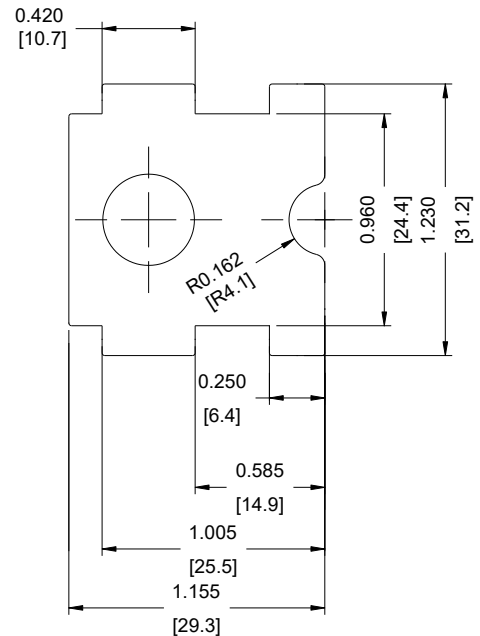
**Splash-proof switches have an elastomer boot covering the opening of the switch at the plunger.

MOUNTING

TOP MOUNT PANEL CUT OUT



BOTTOM MOUNT PANEL CUT OUT



Snap wings accommodate panel thicknesses of .055, .120, .160, and .190 for top mount. Panels less than 11 gauge are accommodated for bottom mount.

SNAP MOUNT PLUNGER SWITCHES

Model Series 6700/6710/6711

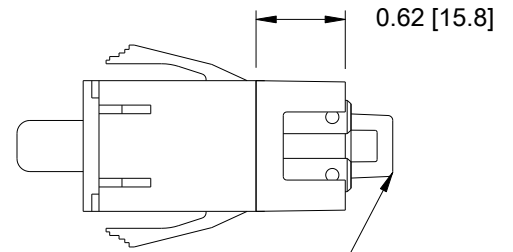
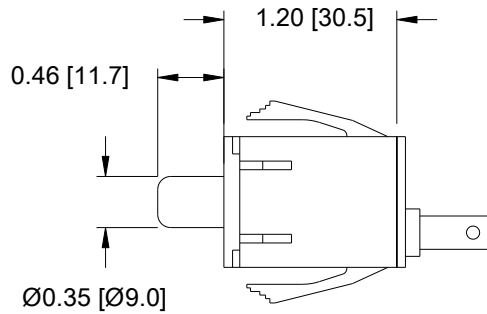
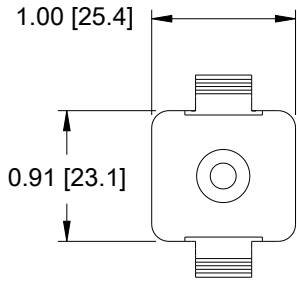
DIMENSIONS

Note: For specific Part information please refer to the Application print.

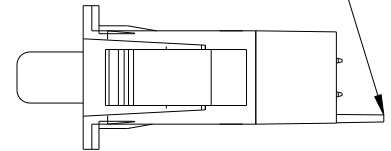
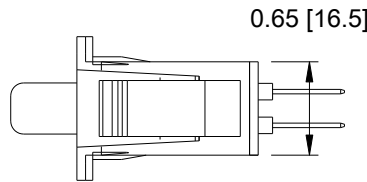
6700 Series

SINGLE POLE

DOUBLE POLE



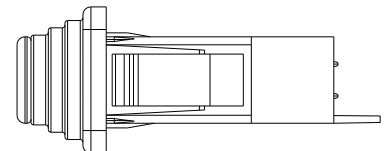
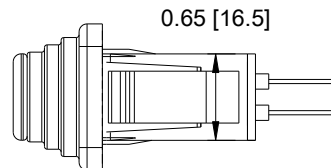
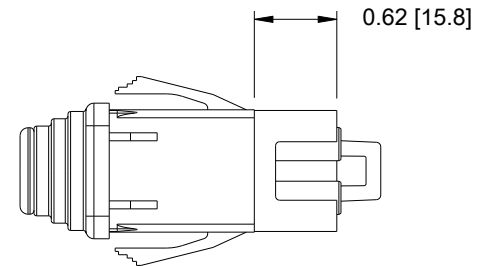
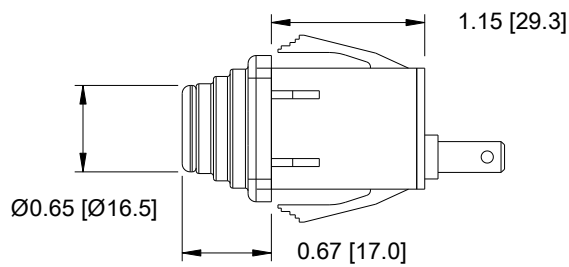
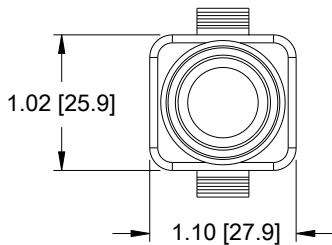
P/N 6700-50A DOES NOT HAVE CONNECTOR LATCHING TAB



6710 Series

SINGLE POLE

DOUBLE POLE



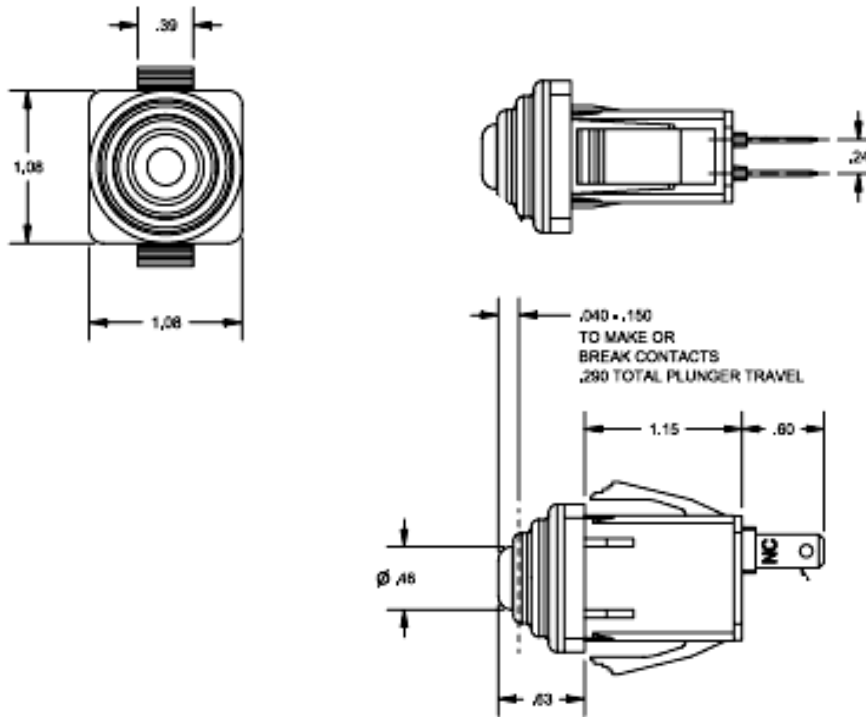
SNAP MOUNT PLUNGER SWITCHES

Model Series 6700/6710/6711

DIMENSIONS

Note: For specific Part information please refer to the Application print.

6711 Series



Note: Life expectancy and switch performance are largely dependent on application. It is the user's responsibility to determine suitability of this product for the application. This information is intended as a guide for proper application.