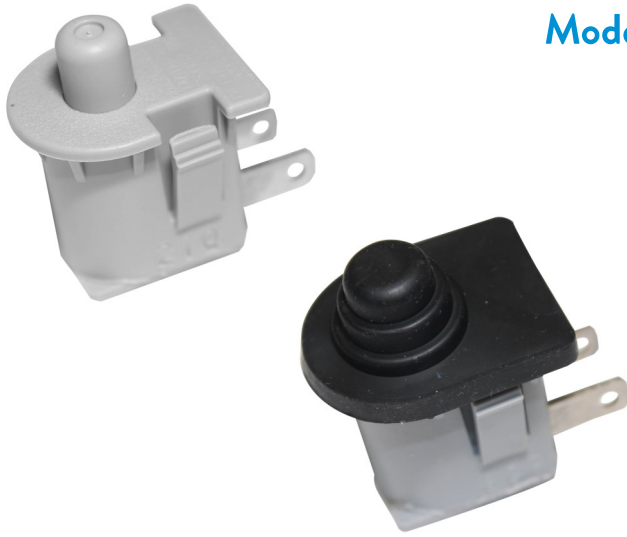


# SNAP MOUNT PLUNGER SWITCHES

## Model Series 6440



- Right angle terminal feature
- Allows for quick installation
- One independent electrical poles
- Manufactured of corrosion and chemical resistant materials to extend switch life.
- RoHS, REACH and Conflict Mineral compliant

### OPERATION

Delta Systems' Plunger Switches are used to sense the position of mechanical linkages and controls. The patented wiping action switch contact prevents carbon buildup, keeping contact resistance low and extending switch life in rugged environments.

### ELECTRICAL SPECIFICATIONS

Cycles: Resistive: 75,000, Inductive: 10,000  
 Operating Voltage: Range: 12-14V<sub>DC</sub>  
 Operating Current: 3 Amps  
 Pre-travel, inches : .140-.150  
 Operating Temperature Range: -20 °F to 150 °F

### ENVIRONMENTAL RATINGS

Exposure	Specification
Salt Fog	ASTM B117. 96 hours
Chemical Resistance	ASTM Ref C Fuel, Diesel Fuel, Oil, Antifreeze, Freon, Paint, Latex, Gasoline, Gas with 10% ethanol, WD-40, Battery Acid, Ammoniated Glass Cleaner, Kerosene, GOJO®, Fertilizer

### AVAILABLE CONFIGURATIONS

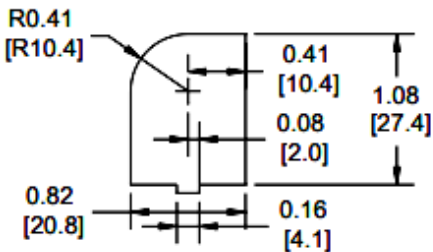
Snap Mount Only

Product Line	Part Number	Electrical Configuration	Mounting Type	Mating Connector	Mounting Config	Environmental Rating	UL File #
Plungers - Basic	6440-04	NO	Snap	Delta 96525, 96526	A	Unsealed	None
Plungers - Basic	6440-11	NO	Snap	Delta 96525, 96526	A	Splash-proof Plunger	None
Plungers - Basic	6440-14	NO	Snap	Delta 96525, 96526	A	Unsealed	None
Plungers - Basic	6440-15	NO	Snap	Delta 96526-OL	A,B,C	Unsealed	None
Plungers - Basic	6440-16	NO	Snap	Delta 96525, 96526	A	Unsealed	AU3028
Plungers - Basic	6440-17	NC	Snap	Delta 96525, 96526	B	Unsealed	AU3028
Plungers - Basic	6440-21	NO	Snap	Delta 96525, 96526	A	Unsealed	None
Plungers - Basic	6440-53	NC	Snap	Delta 96525-GY	B	Unsealed	None
Plungers - Basic	6440-604	NO	Snap	Delta 96525, 96526	A	Unsealed	None
Plungers - Basic	6440-62	NC	Snap	Delta 96525, 96526	A	Splash-proof Plunger	None
Plungers - Basic	6440-70	NO	Snap	Delta 96526-OL		Splash-proof Plunger	None
Plungers - Basic	6440-73	NC	Snap	Delta 96525-GY	B	Unsealed	None
Plungers - Basic	6440-76FR	NO	Snap	Delta 96525, 96526	A	Splash-proof Plunger	AU3028
Plungers - Basic	6440-77FR	NO	Snap	Delta 96525, 96526	A	Unsealed	E319443

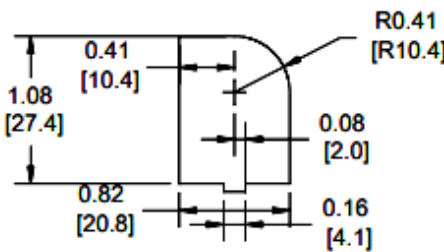
Note: Splash-proof switches has an elastomer boor covering the opening to the switch at the plunger

### MOUNTING CONFIGURATION

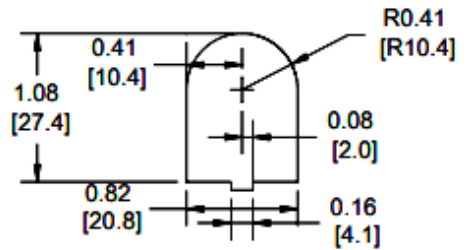
Configuration A



Configuration B



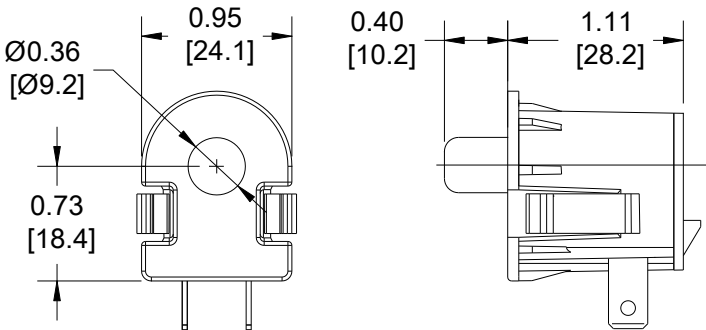
Configuration C



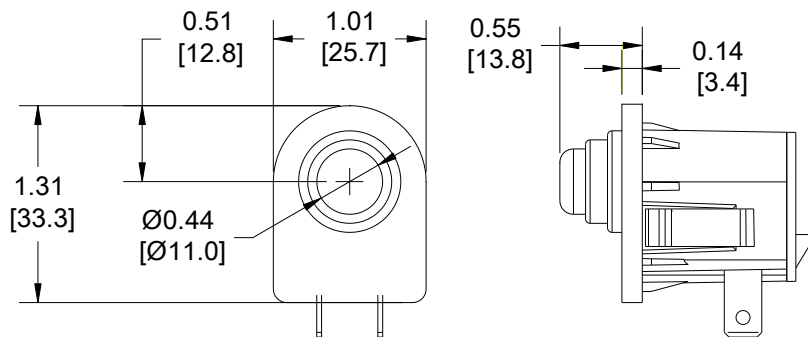
## DIMENSIONS

Note: For specific Part information please refer to the Application print.

Standard



Splash-Proof



## ACCESSORIES

Item #	Manufacturer	Description
9910	Delta Systems	Protective Cover

Note: Life expectancy and switch performance are largely dependent on application. It is the user's responsibility to determine suitability of this product for the application. This information is intended as a guide for proper application.