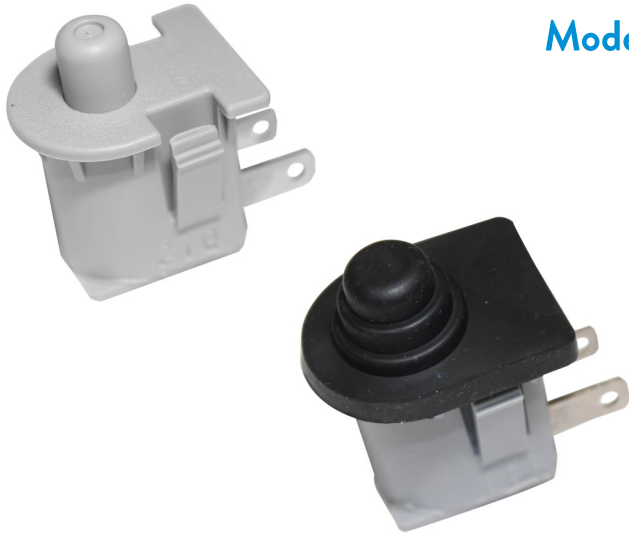


SNAP MOUNT PLUNGER SWITCHES

Model Series 6440



- Right angle terminal feature
- Allows for quick installation
- One independent electrical poles
- Manufactured of corrosion and chemical resistant materials to extend switch life.
- RoHS, REACH and Conflict Mineral compliant

OPERATION

Delta Systems' Plunger Switches are used to sense the position of mechanical linkages and controls. The patented wiping action switch contact prevents carbon buildup, keeping contact resistance low and extending switch life in rugged environments.

ELECTRICAL SPECIFICATIONS

Cycles: Resistive: 75,000, Inductive: 10,000

Operating Voltage: Range: 12-14V_{DC}

Operating Current: 3 Amps

Pre-travel, inches : .040-.150

Operating Temperature Range: -20 °F to 150 °F

ENVIRONMENTAL RATINGS

Exposure	Specification
Salt Fog	ASTM B117. 96 hours
Chemical Resistance	ASTM Ref C Fuel, Diesel Fuel, Oil, Antifreeze, Freon, Paint, Latex, Gasoline, Gas with 10% ethanol, WD-40, Battery Acid, Ammoniated Glass Cleaner, Kerosene, GOJO®, Fertilizer

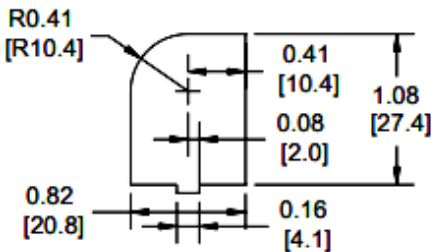
AVAILABLE CONFIGURATIONS

Part Number	Electrical Configuration	Mating Connector	Mounting Configuration	Environmental Rating	UL File #
6440-04	NO	Delta 96525, 96526	A	Unsealed	None
6440-11	NO	Delta 96525, 96526	A	Splash-proof Plunger	None
6440-14	NO	Delta 96525, 96526	A	Unsealed	None
6440-15	NO	Delta 96526-OL	A,B,C	Unsealed	None
6440-16	NO	Delta 96525, 96526	A	Unsealed	E319443
6440-17	NC	Delta 96525, 96526	B	Unsealed	E319443
6440-21	NO	Delta 96525, 96526	A	Unsealed	None
6440-53	NC	Delta 96525, 96526	B	Unsealed	None
6440-604	NO	Delta 96525, 96526	A	Unsealed	None
6440-62	NC	Delta 96525, 96526	A	Splash-proof Plunger	None
6440-70	NO	Delta 96526-OL	A,B,C	Splash-proof Plunger	None
6440-73	NC	Delta 96525, 96526	B	Unsealed	None
6440-76FR	NO	Delta 96525, 96526	A	Splash-proof Plunger	E319443
6440-77FR	NO	Delta 96525, 96526	A	Unsealed	E319443

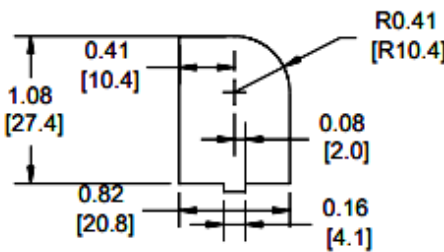
Note: Splash-proof switches has an elastomer boor covering the opening to the switch at the plunger

MOUNTING CONFIGURATION

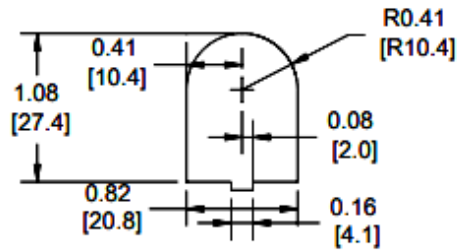
Configuration A



Configuration B



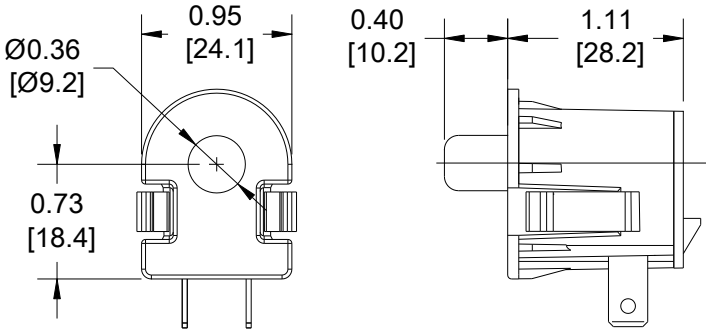
Configuration C



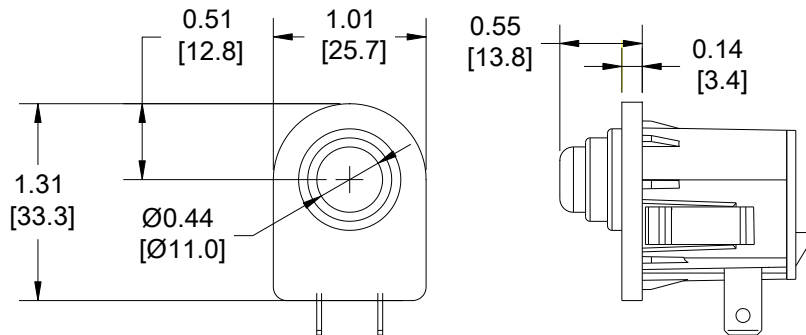
DIMENSIONS

Note: For specific Part information please refer to the Application print.

Standard



Splash-Proof



ACCESSORIES

Item #	Manufacturer	Description
9910	Delta Systems	Protective Cover

Note: Life expectancy and switch performance are largely dependent on application. It is the user's responsibility to determine suitability of this product for the application. This information is intended as a guide for proper application.