

SEALED TWIST LOCK SEAT SWITCHES

Model Series 6554



- Sealed to IP67 per IEC 60529 with integral sealed connector
- Twist mount installation uses no fasteners
- Two independent electrical poles
- Manufactured of corrosion and chemical resistant materials to extend switch life
- RoHS, REACH and Conflict Mineral compliant

OPERATION

Delta Systems sealed seat switches are utilized to sense operator presence in harsh outdoor environments where protection of sensitive electrical systems is critical. When a seated operator compresses the seat foam, the switch is actuated. Typical applications include construction equipment, material handling equipment, outdoor power equipment, forklifts, rental equipment, agricultural equipment, ATVs, UTVs and other applications where operator presence detection is necessary.

ELECTRICAL SPECIFICATION

Max Current @ 12-14 V_{DC}, 3A

Pre-travel .050-.155"

Total Travel .275"

Contact Resistance @ Max Current, 83.3 mΩ

Cycle Life @ Max Load Inductive 10,000, Resistive 75,000

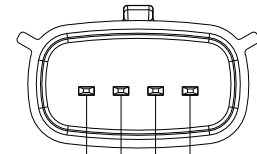
Actuation Force 5.1±1.8 lbs

ENVIRONMENTAL RATINGS

Exposure	Specification
Ingress Protection	IP67 per IEC 60529
Operating Temperature Range	-20 °F to +150 °F
Installation Temperature Range	-20 °F to +100 °F
Salt Fog	ASTM B117, 96 hours
Chemical Resistance	Gasoline, Diesel Fuel, Engine Oil, Insect Killer, Weed Killer, Liquid Fertilizer

AVAILABLE CONFIGURATIONS

Part Number	Electrical Configuration		Housing/Connector
	Pole A-A	Pole B-B	
6554-001	NO	NO	Black/Black
6554-002	NC	NO	Black/Gray

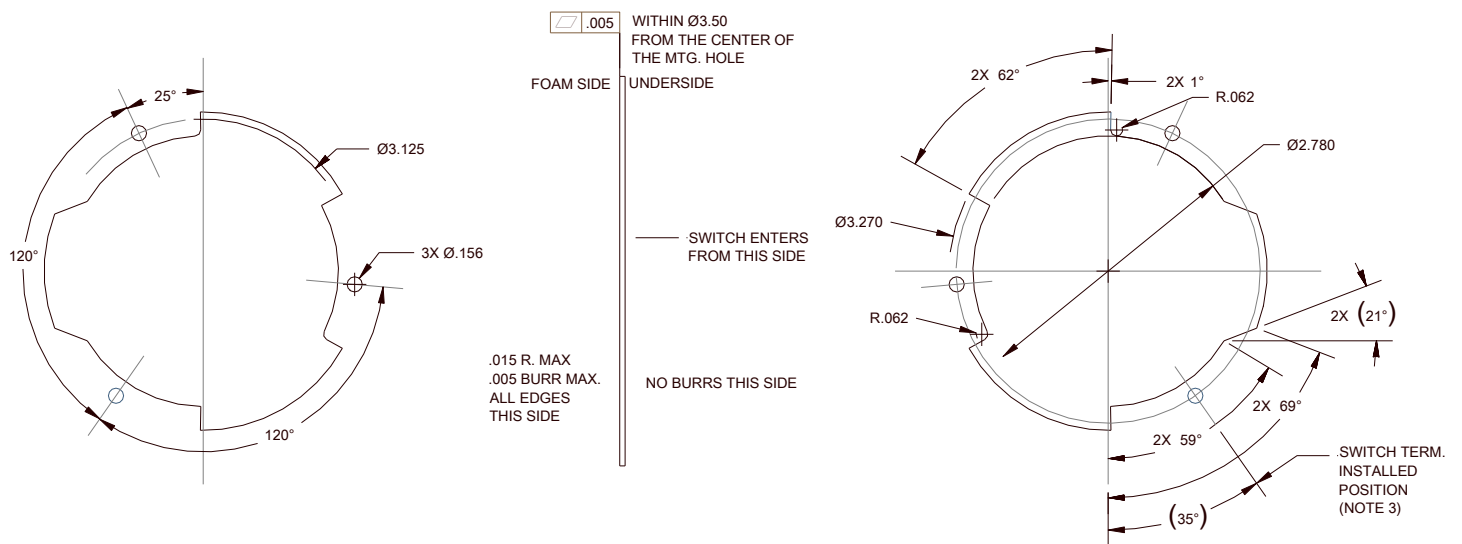


B A A B

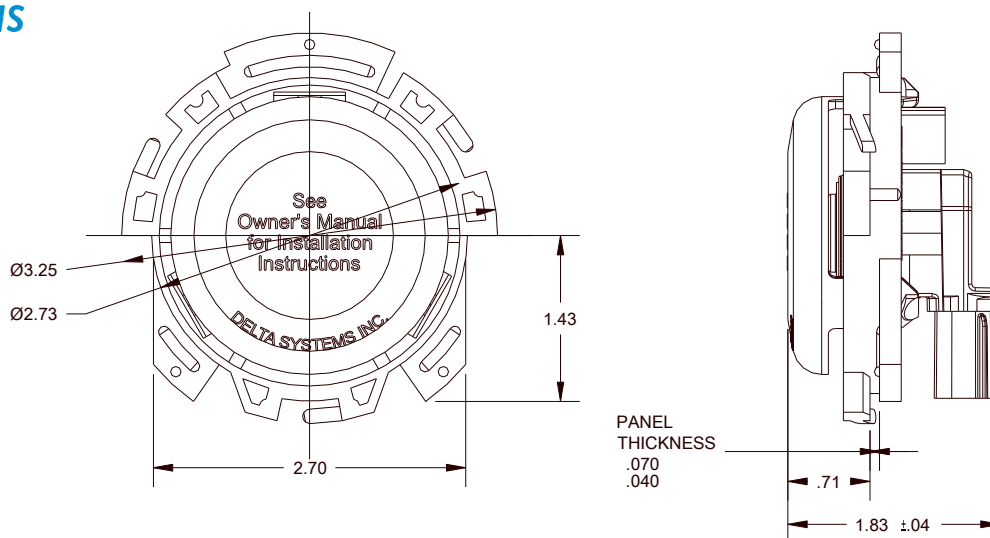
Mates with

Molex P/N 33471-0401

MOUNTING



DIMENSIONS



Note: Life expectancy and switch performance are largely dependent on application. It is the user's responsibility to determine suitability of this product for the application. This information is intended as a guide for proper application.