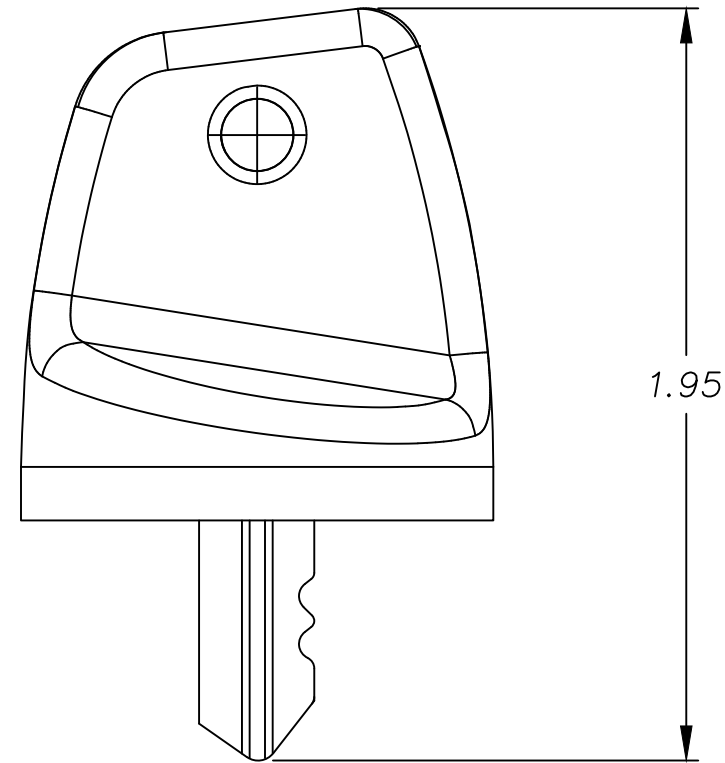
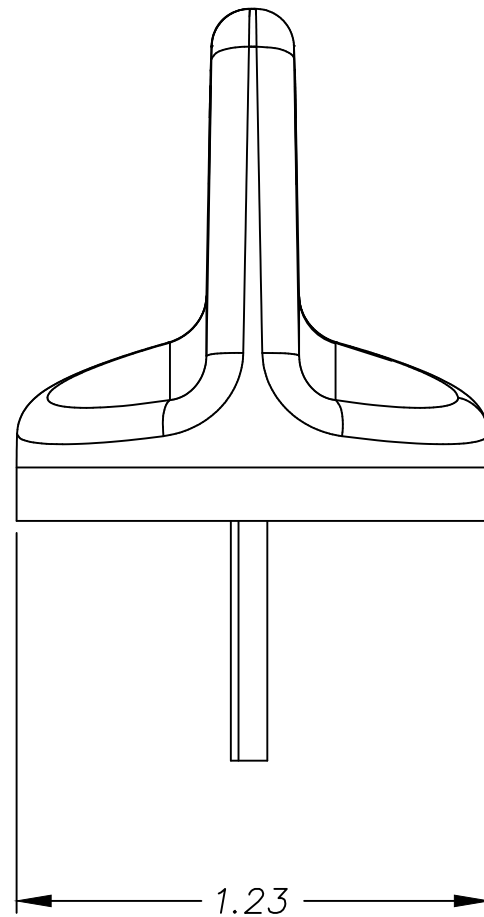
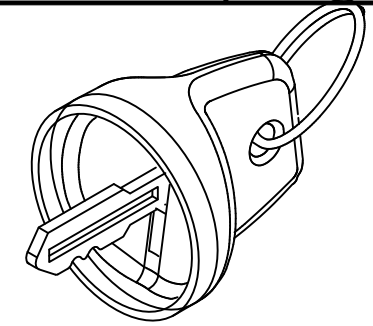



REVISIONS			
~	INITIAL RELEASE, CR 1412	01/25/01	JH
A	MAT'L STEEL TO STAINLESS, CR1535	04/07/04	MEL
B	ADD NP-CR STEEL TO PRINT; CR1586	12/20/04	JLM



NOTES

- 1-ASSEMBLY INCLUDES:
 PLATED 18GA MUSIC WIRE KEY RING
 SANTOPRENE KEY COVER
 NICKEL PLATED STEEL OR STAINLESS STEEL KEY.
- 2-KEY ASSEMBLY FITS ALL 6850 SERIES IGNITION SWITCHES.

DELTA SYSTEMS, INC. DOES NOT ASSUME ANY LIABILITY ARISING OUT OF THE MISAPPLICATION OF ANY PRODUCT		DRAWN LMM	DATE 12/19/00	 DELTA SYSTEMS INC. STREETSBORO, OHIO 44241
		CHECKED JH	DATE 01/25/01	
COMPUTER GENERATED DRAWING - NO MANUAL CHANGES ALLOWED		MATERIAL AS NOTED		TITLE KEY ASSEMBLY
		FINISH		SIZE B
UNLESS OTHERWISE SPECIFIED DIMENSIONS ARE IN INCHES TOLERANCES ARE: .xx± .02 .xxx± .005 ANG± 1°		DO NOT SCALE DRAWING		DWG. NO. 688P-UMB-001
		SCALE 2X		PROJECT NO. EX338
				REV B