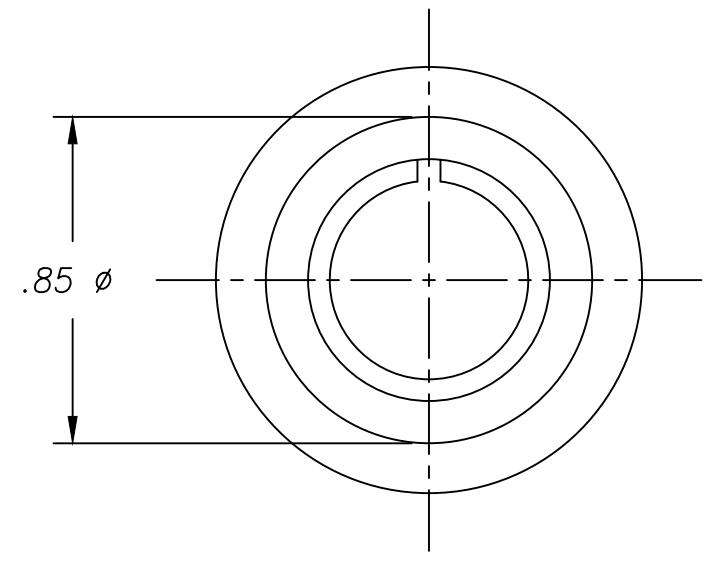
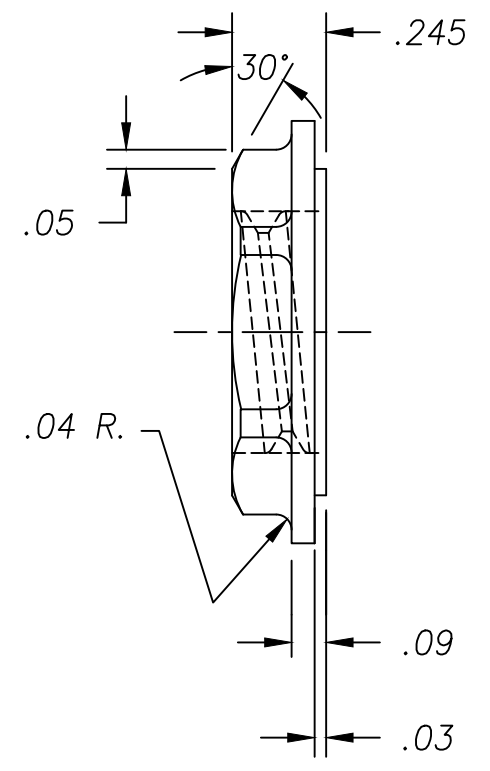
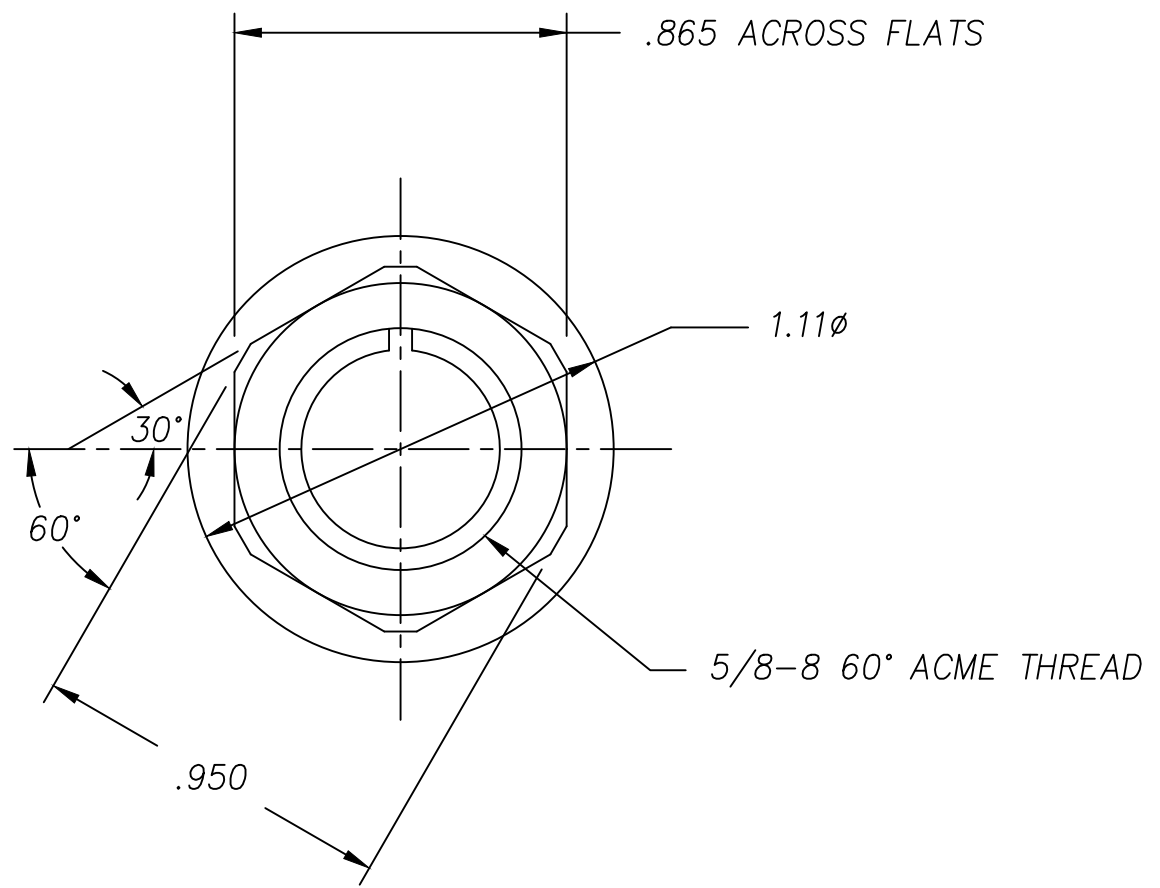


DWG. NO.	SH	REV.
----------	----	------

COMPUTER GENERATED DRAWING – NO MANUAL CHANGES

REVISIONS			
A	UPDATED DWG. ADDED NOTE 3, CR#628	12/14/94	TW
B	UPDATE TOL. PER CAP. STUDY, CN2154	10/20/09	MEL



NOTES:

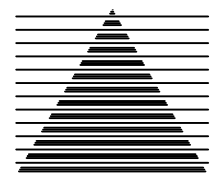
- 1-MAXIMUM TORQUE IS 36 IN LBS.
- 2-MATERIAL: DELTON™ (BLACK).
- 3-PANEL THICKNESS RANGE .07 TO .190

DELTA SYSTEMS, INC. DOES NOT ASSUME ANY LIABILITY ARISING OUT OF THE MISAPPLICATION OF ANY PRODUCT

UNLESS OTHERWISE SPECIFIED DIMENSIONS ARE IN INCHES TOLERANCES ARE: B
 $.xx \pm .020$ $.xxx \pm .010$ $\text{ANG} \pm 1^\circ$

DO NOT SCALE DRAWING

DRAWN	DATE
AJC	10/19/92
CHECKED	DATE
TW	10/26/92
MATERIAL	
NOTE 2	
FINISH	
NOTE 2	

		DELTA SYSTEMS INC. STREETSBORO, OHIO 44241	
		FLANGED NUT IGNITION SWITCH	
SIZE	DWG. NO.	PROJECT NO.	REV
B	9256	E-304	B
SCALE	SHEET		OF
2X	1		1