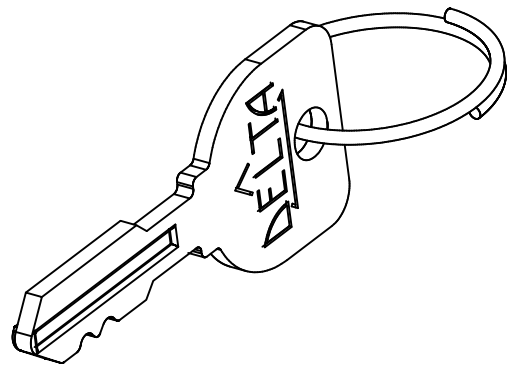
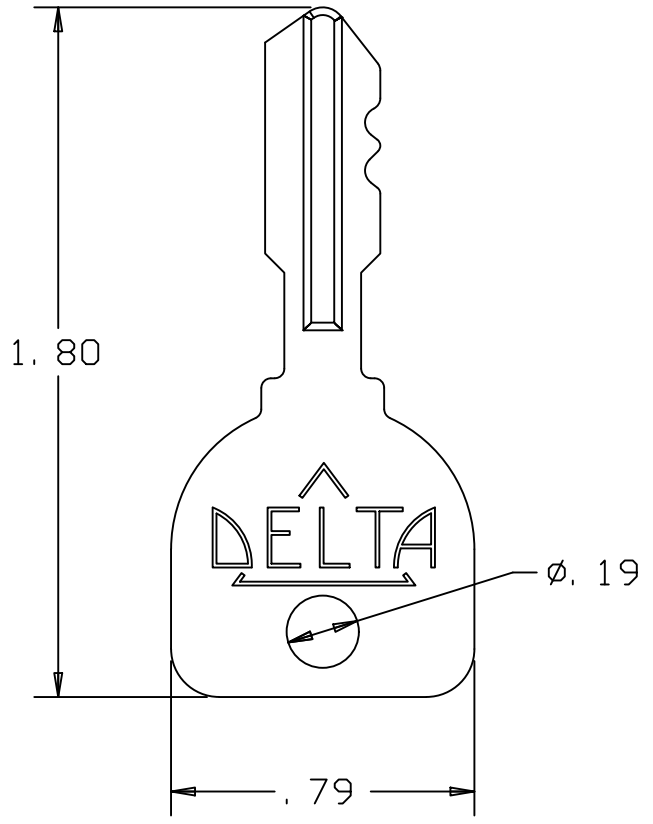
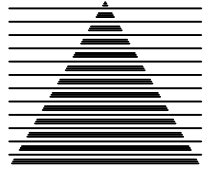


REVISIONS			
~	INITIAL RELEASE, CR 1614	09/06/05	CAK



NOTE
 1 - ASSEMBLY INCLUDES:
 PLATED 18 GA MUSIC WIRE KEY RING
 NICKEL PLATED STEEL OR STAINLESS
 STEEL KEY
 2 - KEY ASSEMBLY FITS ALL DELTA 6850 &
 6900 SERIES IGNITION SWITCHES

DELTA SYSTEMS, INC. DOES NOT ASSUME ANY LIABILITY ARISING OUT OF THE MISAPPLICATION OF ANY PRODUCT		DRAWN CAK	DATE 07/07/05
COMPUTER GENERATED DRAWING - NO MANUAL CHANGES ALLOWED		CHECKED ML	DATE 07/08/05
		MATERIAL AS NOTED	
UNLESS OTHERWISE SPECIFIED DIMENSIONS ARE IN INCHES TOLERANCES ARE: xx± .02" .xxx± .005" ANG± 1° DO NOT SCALE DRAWING		FINISH	

		DELTA SYSTEMS INC. STREETSBOARD, OHIO 44241	
TITLE STANDARD KEY ASSEMBLY			
SIZE B	DWG. NO. 688S-001		
SCALE 2X	PROJECT NO. EX338	REV ~	