

8

7

6

5

4

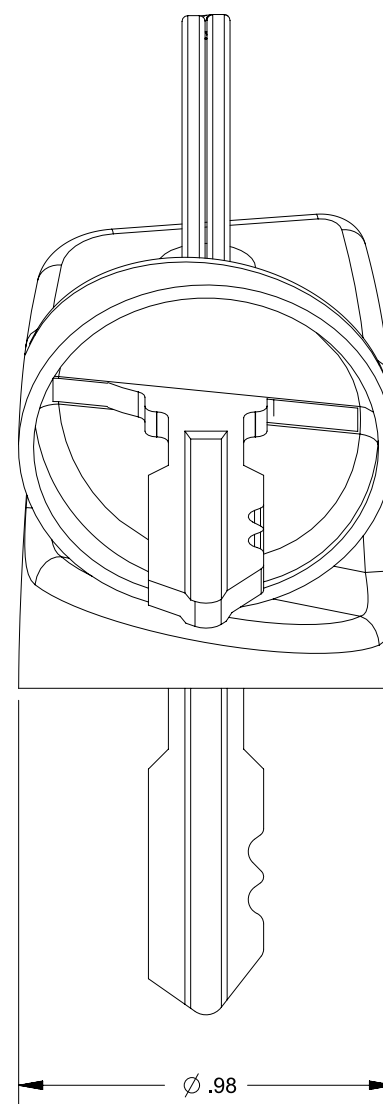
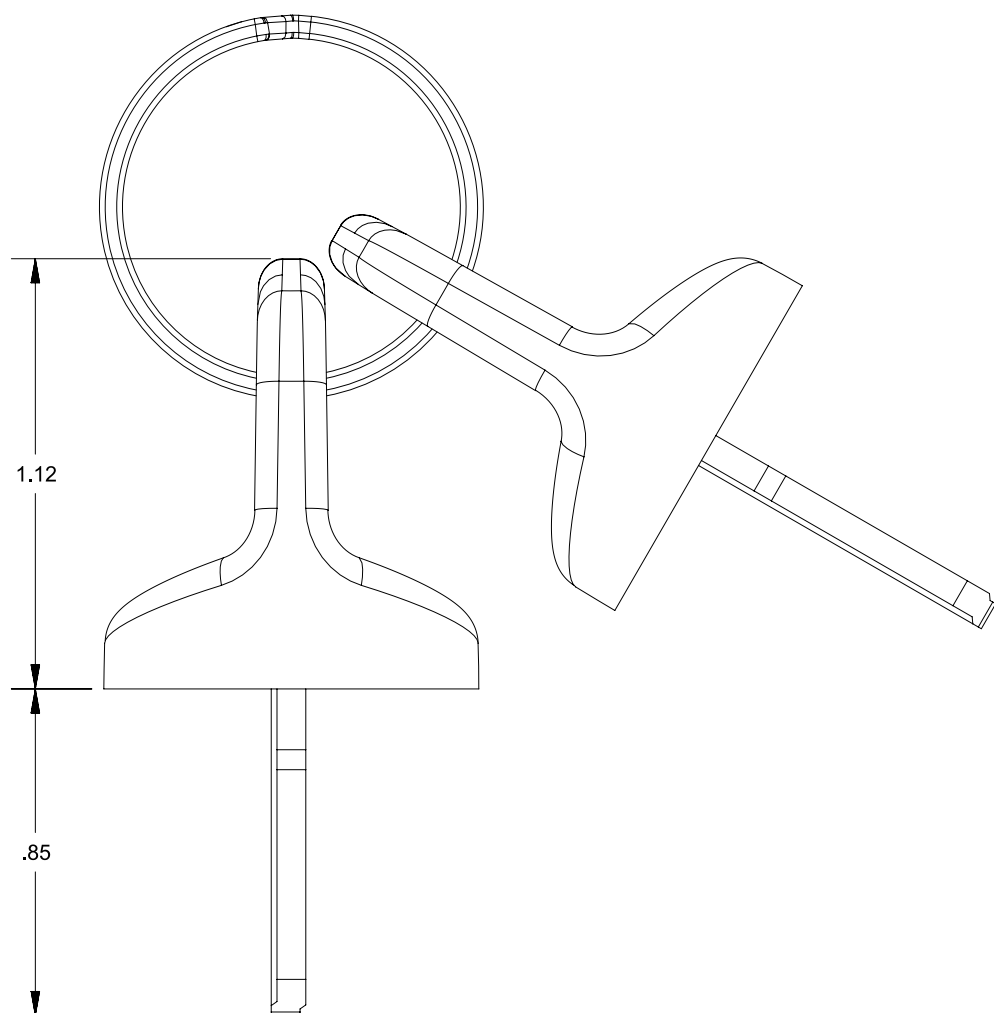
3

2

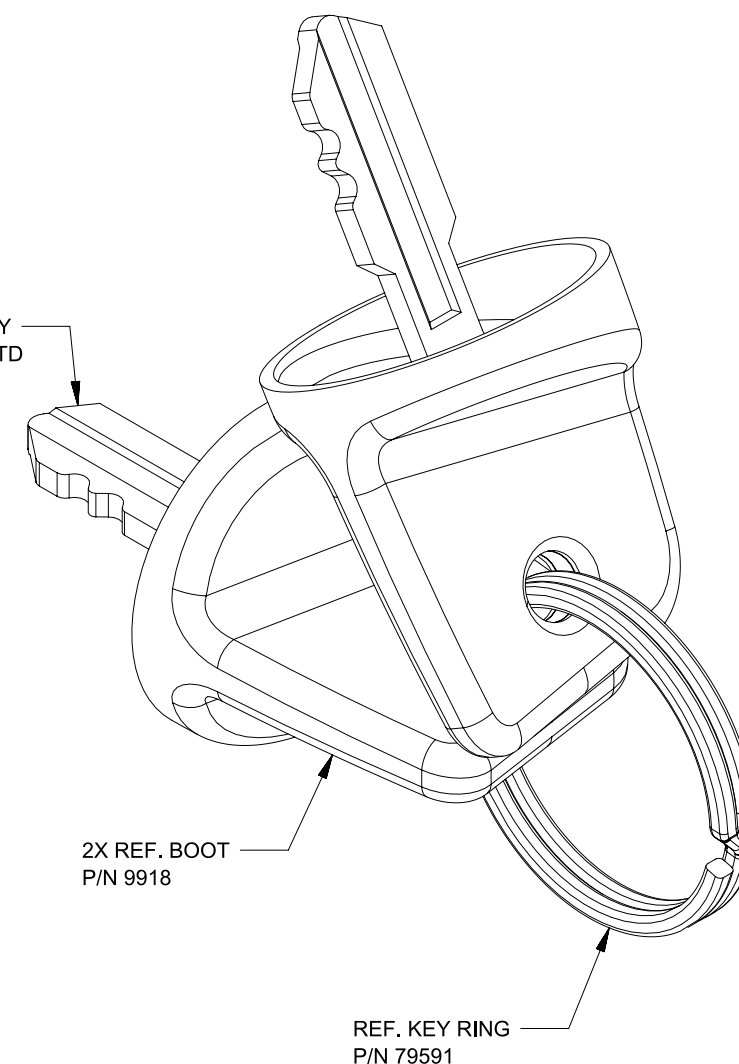
1

### REVISIONS


REV.	DESCRIPTION	DATE	INIT
0	INITIAL RELEASE	10/07/19	IDK


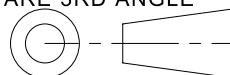


2X REF. KEY  
P/N 688S-STD



#### NOTES

- 1) MUST BE IN COMPLIANCE WITH DIRECTIVE 2011/65/EU OF THE EUROPEAN PARLIAMENT AND THE COUNCIL OF 8 JUNE 2011 ON THE RESTRICTION OF THE USE OF CERTAIN HAZARDOUS SUBSTANCES IN ELECTRICAL AND ELECTRONIC EQUIPMENT (ROHS DIRECTIVE)
- 2) KEY IS NICKEL PLATED STEEL
- 3) COVER MATERIAL IS 80 DUROMETER SHORE A TPE
- 4) COVER OUTSIDE SURFACES TO BE TEXTURED TO MT 11020 OR EQUIVALENT
- 5) FITS ALL 6900/6901 SERIES IGNITION SWITCHES
- 6) UNLESS OTHERWISE SPECIFIED, MATH DATA IS MASTER AND  .040 APPLIES
- 7) INTERPRET THIS DRAWING IN ACCORDANCE WITH ASME Y14.5-2009

PROPRIETARY & CONFIDENTIAL THE INFORMATION CONTAINED IN THIS DRAWING IS THE SOLE PROPERTY OF DELTA SYSTEMS. ANY REPRODUCTION IN PART OR AS A WHOLE WITHOUT THE WRITTEN PERMISSION OF DELTA SYSTEMS IS PROHIBITED.	UNLESS OTHERWISE SPECIFIED DIMENSIONS ARE IN INCHES TOLERANCES ARE: .X± .1 .XX± .02 .XXX± .005 X°± 1°	DRAWN ikirbawy	DATE 07-Oct-2019	 <b>DELTA SYSTEMS</b> 1734 FROST ROAD STREETSBORO, OHIO 44241 330-626-2811 WWW.DELTASYSTEMSINC.COM	
		CHECKED bkral	DATE 23-Oct-2019		
APPROVED dzlatic	DATE 25-Oct-2019	TITLE Key Cover Assembly, 6900 Series			
MATERIAL SEE NOTES	PROJECTED VIEWS ARE 3RD ANGLE 	SIZE <b>B</b>			
DELTA SYSTEMS INC. DOES NOT ASSUME ANY LIABILITY ARISING OUT OF THE MISAPPLICATION OF ANY PRODUCT	COMPUTER GENERATED DRAWING - NO MANUAL CHANGES ALLOWED	FINISH DO NOT SCALE DRAWING	STATUS DS4_Design	DWG. NO. 688P-UMB-004	
		SCALE NTS	SHEET 1 OF 1	PROJECT NO. 050	REVISION 0

8

7

6

5

4

3

2

1