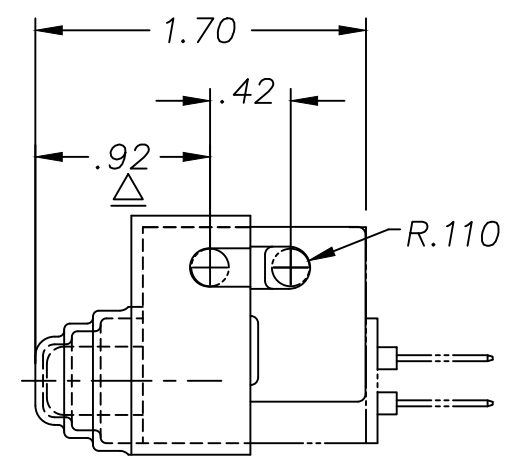
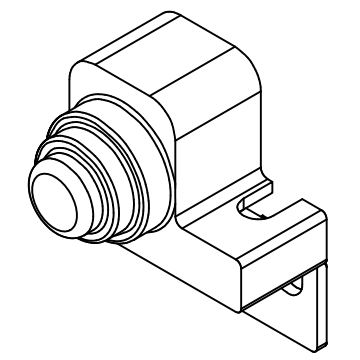
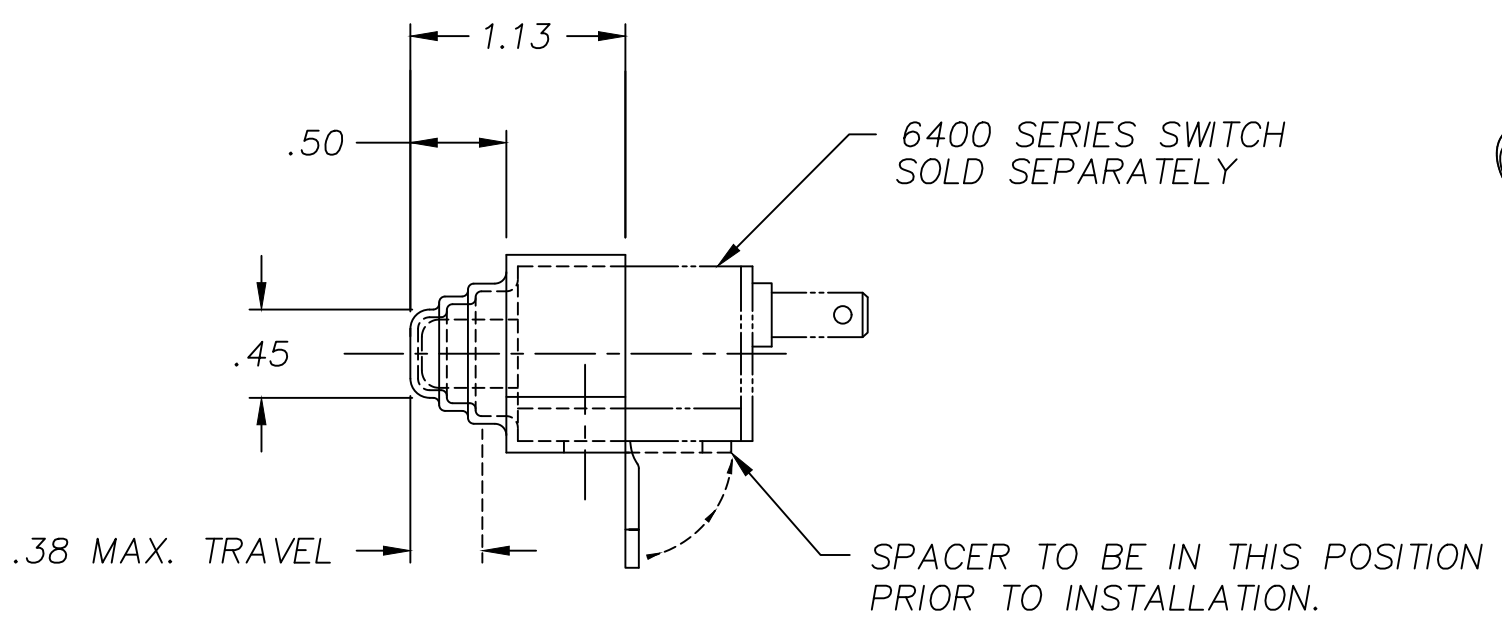
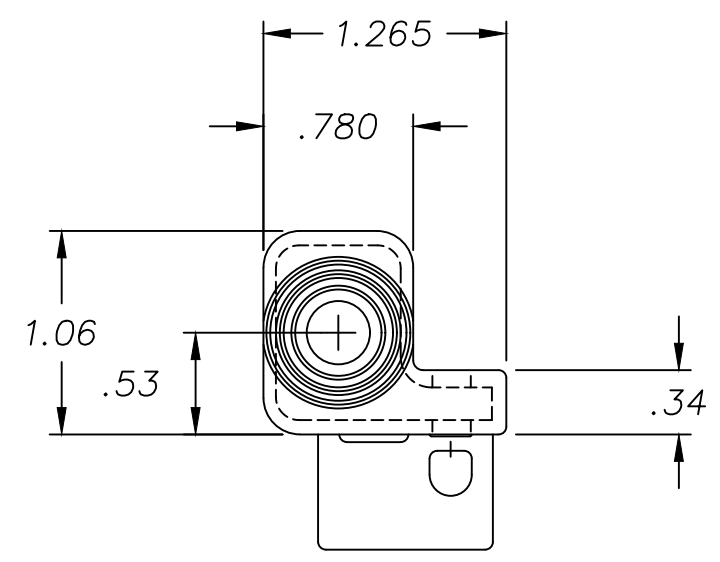


REVISIONS			
A	REDESIGNED & RETOOLING, CR 1368	05/22/00	JH



△ INDICATES "CRITICAL CHARACTERISTIC"

NOTES:

- 1-WILL FIT ALL 6400 SERIES SWITCHES WITH MOUNTING FLANGE (SINGLE POLE OR DOUBLE POLE) △
- 2-PROTECTIVE COVER SUPPLIED AS LOOSE PIECE AND INSTALLED BY CUSTOMER.
- 3-DIMENSIONS SHOWN ARE WITH COVER INSTALLED ON SWITCH.

DELTA SYSTEMS, INC. DOES NOT ASSUME ANY LIABILITY ARISING OUT OF THE MISAPPLICATION OF ANY PRODUCT		DRAWN DRK	DATE 08/12/88
		CHECKED BH	DATE 08/12/88
COMPUTER GENERATED DRAWING - NO MANUAL CHANGES ALLOWED		MATERIAL SANTOPRENE	
		FINISH BLACK	
UNLESS OTHERWISE SPECIFIED DIMENSIONS ARE IN INCHES TOLERANCES ARE: .xx± .02 .xxx± .005 ANG± 1° DO NOT SCALE DRAWING			

	DELTA SYSTEMS INC. STREETSBORO, OHIO 44241		
	TITLE PROTECTIVE COVER 6400 SERIES SWITCHES		
SIZE B	DWG. NO. 9900		
SCALE BULL	PROJECT NO. EX311	REV A	