

REVISIONS

| | | | |
|---|-----------------------------------|----------|-----|
| ~ | RELEASE FROM EXPERIMENTAL, CR1442 | 02/11/02 | JH |
| A | UPDATED MATERIAL, CN3255 | 06/07/12 | IDK |

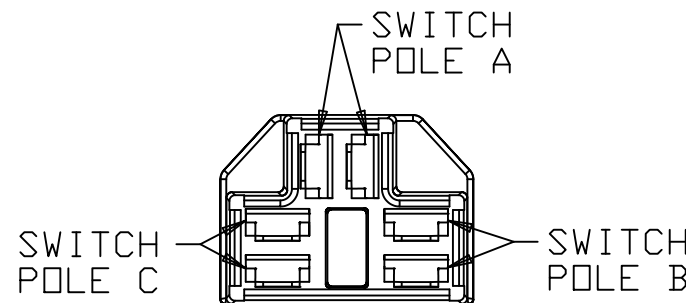
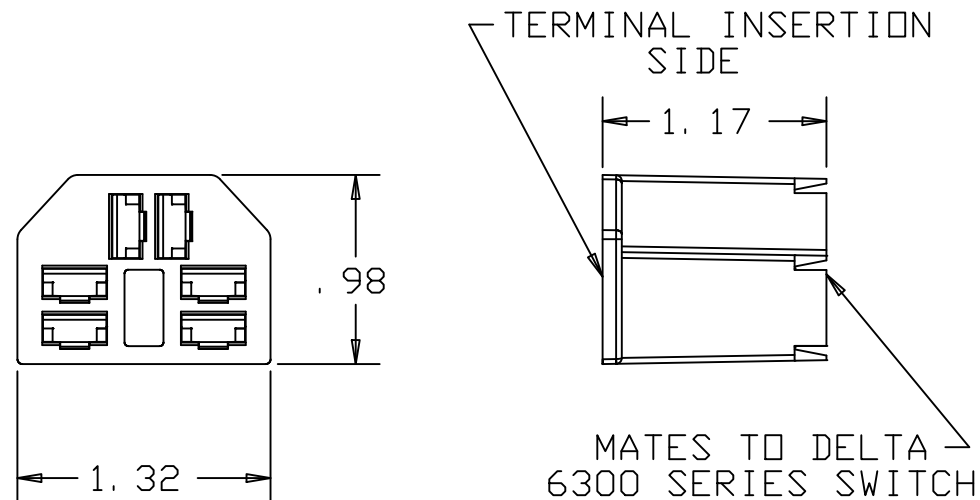
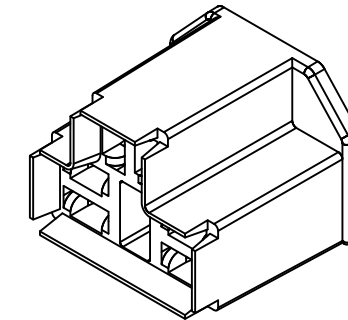
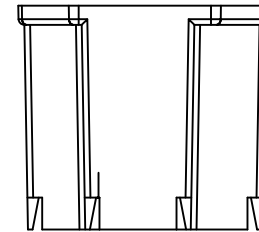


TABLE #1

| DSI P/N: | COLOR |
|-----------|-------|
| 972367-BK | BLACK |
| 972367-GY | GRAY |

1) REQUIRES SIX PACKARD 56 SERIES, CUSTOMER INSTALLED TERMINALS.

| WIRE GA. | PLATED | UNPLATED |
|----------|---------|----------|
| 18 GA. | 2965510 | 2962572 |
| 16 GA. | 2965867 | 2962573 |

2) MATERIAL IS POLYPROPYLENE
3) PATENT PENDING

DELTA SYSTEMS, INC. DOES NOT ASSUME ANY LIABILITY ARISING OUT OF THE MISAPPLICATION OF ANY PRODUCT

COMPUTER GENERATED DRAWING - NO MANUAL CHANGES ALLOWED

UNLESS OTHERWISE SPECIFIED DIMENSIONS ARE IN INCHES TOLERANCES ARE:

xx±0.02 .xxx±0.005 ANG±

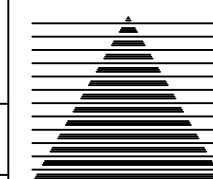
DO NOT SCALE DRAWING

DRAWN MEL DATE 08/27/01

CHECKED JH DATE 02/11/02

MATERIAL SEE NOTE 2

FINISH SEE TABLE #1



DELTA SYSTEMS INC. STREETS BORO, OHIO 44241

TITLE THREE POLE CONNECTOR

SIZE B DWG. NO. 972367

SCALE 1X PROJECT NO. EX367 REV A