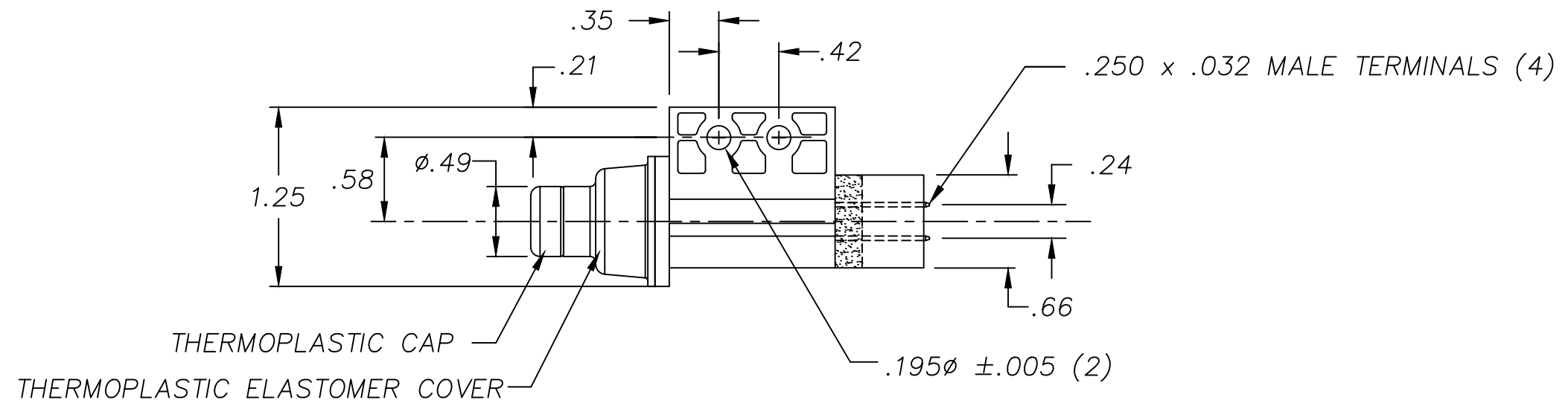
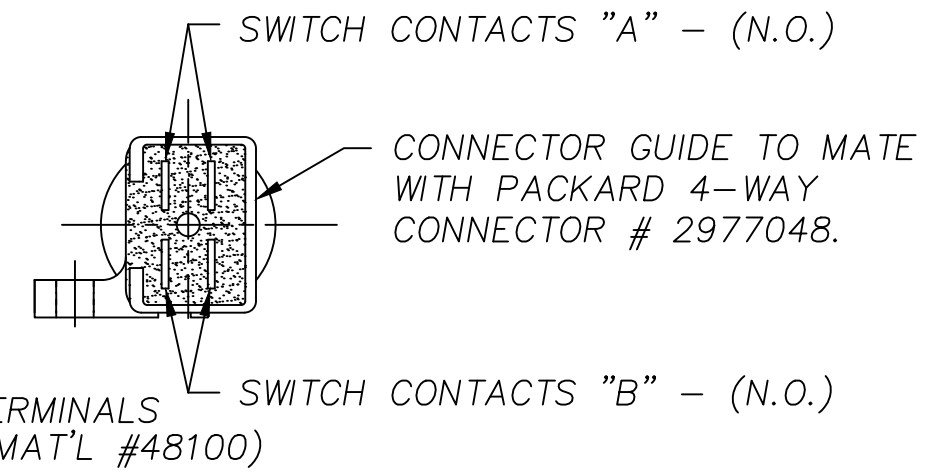


REVISIONS			
~	INITIAL RELEASE, CR 1386	02/23/01	JH
A	NOTE 9 WAS 3.5±1.0 LBS. AT .300	05/01/07	MA
"	ADDED NOTE 10, CR 1671	"	"



**NOTES:**

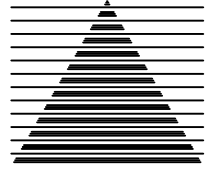
- 1-TERMINALS ARE NICKEL PLATED
- 2-PLASTIC PARTS ARE DELTON™, UV STABLE, FUEL RESISTANT THERMOPLASTIC. PROTECTIVE COVER IS THERMOPLASTIC ELASTOMER.
- 3-DATE CODE INDICATING YEAR, MONTH, & DAY OF MONTH MANUFACTURED STAMPED ON HOUSING.
- 4-INTEGRITY OF WELD & SWITCH FUNCTIONALITY TESTED AFTER ASSEMBLY.
- 5-THIS PRODUCT COVERED BY THE FOLLOWING U.S. PATENT; 4,812,604. OTHER PATENTS APPLIED FOR.
- 6-TOTAL TRAVEL OF PLUNGER IS .47 FROM REST POSITION.
- 7-ELECTRICAL RATING: 3A @ 12-14VDC.
- 8-CONNECTION EFFORT: UP TO 10 LBS. PER TERMINAL
- 9-OPERATING FORCE: 6.0 +/- 1.0 LBS. AT .400 TRAVEL
- 10-ASSEMBLY IS RoHS COMPLIANT.

DELTA SYSTEMS, INC. DOES NOT ASSUME ANY LIABILITY ARISING OUT OF THE MISAPPLICATION OF ANY PRODUCT

COMPUTER GENERATED DRAWING - NO MANUAL CHANGES ALLOWED

UNLESS OTHERWISE SPECIFIED DIMENSIONS ARE IN INCHES TOLERANCES ARE:  
 .xx± .02 .xxx± .010 ANG±  
 DO NOT SCALE DRAWING

DRAWN	DATE
JAB	05/18/99
CHECKED	DATE
MA	05/08/07
MATERIAL	
AS NOTED	
FINISH	
GRAY SWITCH HOUSING BLACK TERMINAL COVER BLACK CAP/COVER	

 <b>DELTA</b> SYSTEMS INC. STREETSBORO, OHIO 44241		TITLE	
		N.O./N.O. SEALED PLUNGER SWITCH	
SIZE	B	DWG. NO.	6420-02
SCALE	FULL	PROJECT NO.	EX363
		REV	A