

8

7

6

5

4

3

2

1

REVISIONS

REV.	DESCRIPTION	DATE	INIT
0	INITIAL RELEASE	11/1/2018	BJK

D

D

C

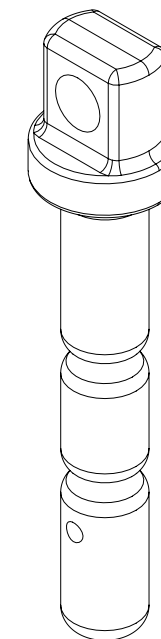
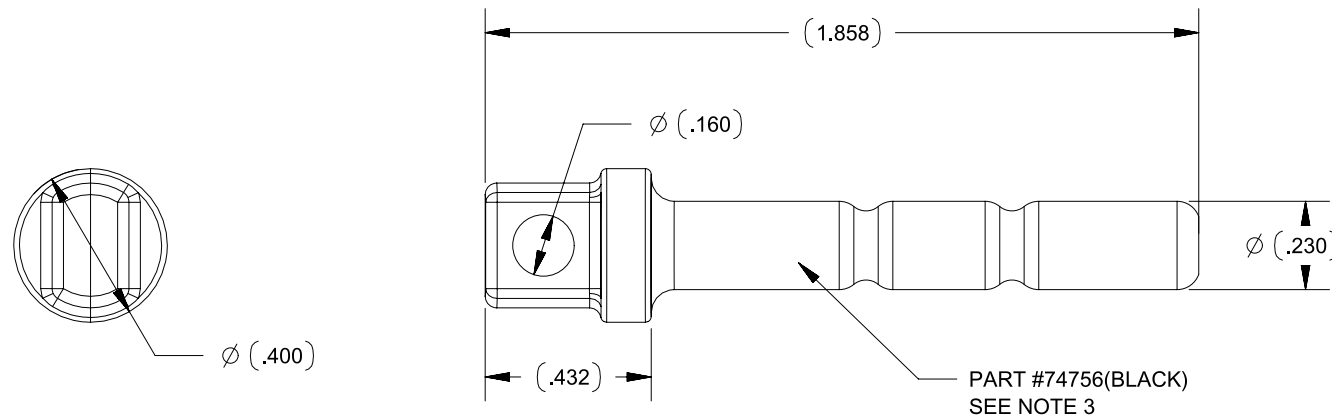
C

B

B

A

A



OPERATING REQUIREMENT OF KEY IN SWITCH
 KEY RETENTION: 4Lb MIN AFTER 20,000 OPERATIONS
 KEY INSTALLATION FORCE: 5Lb MAX

NOTES

- MUST BE IN COMPLIANCE WITH DIRECTIVE 2011/65/EU OF THE EUROPEAN PARLIAMENT AND THE COUNCIL OF 08 JUNE 2011 ON THE RESTRICTION OF THE USE OF CERTAIN HAZARDOUS SUBSTANCES IN ELECTRICAL AND ELECTRONIC EQUIPMENT (ROHS DIRECTIVE).
- INTERPRET THIS DRAWING IN ACCORDANCE WITH ASME Y14.5-2009
- PARENT PART NUMBER IS 74756

PROPRIETARY & CONFIDENTIAL THE INFORMATION CONTAINED IN THIS DRAWING IS THE SOLE PROPERTY OF DELTA SYSTEMS. ANY REPRODUCTION IN PART OR AS A WHOLE WITHOUT THE WRITTEN PERMISSION OF DELTA SYSTEMS IS PROHIBITED.	UNLESS OTHERWISE SPECIFIED DIMENSIONS ARE IN INCHES TOLERANCES ARE: .X± .1 .XX± .02 .XXX± .005 X°± 1°	DRAWN bkrall	DATE 01-Nov-2018	1734 FROST ROAD STREETSBORO, OHIO 44241 330-626-2811 WWW.DELTASYSTEMSINC.COM		
		CHECKED npurdy	DATE 06-Nov-2018			
APPROVED ikirbawy	DATE 06-Nov-2018	MATERIAL -	PROJECTED VIEWS ARE 3RD ANGLE 		TITLE Key Round Assembly	
DELTA SYSTEMS INC. DOES NOT ASSUME ANY LIABILITY ARISING OUT OF THE MISAPPLICATION OF ANY PRODUCT	COMPUTER GENERATED DRAWING - NO MANUAL CHANGES ALLOWED	FINISH -	DO NOT SCALE DRAWING	STATUS DS4_Design	SIZE B	DWG. NO. 74756-01_APP
		SCALE NTS	SHEET 1 OF 1	PROJECT NO. 073	REVISION 0	

8

7

6

5

4

3

2

1