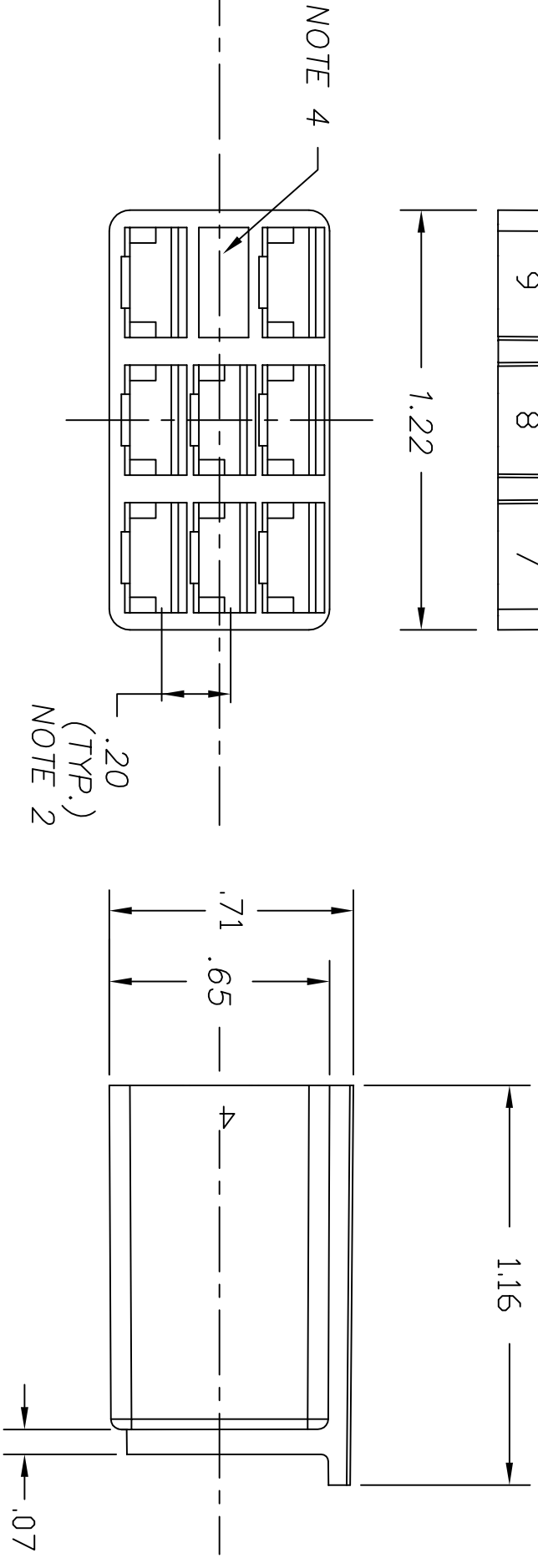
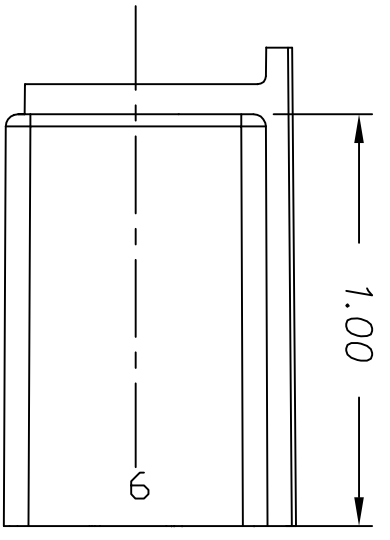
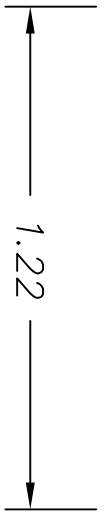
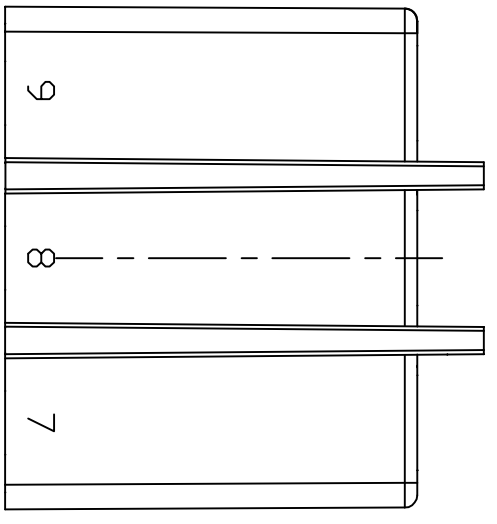


REVISIONS			
~	INITIAL RELEASE	06/29/93	TW
A	ADDED STANDOFF FEATURES, CR1667	01/12/07	MA
B	UPDATED MAT'L, CN3255	06/07/12	IDK

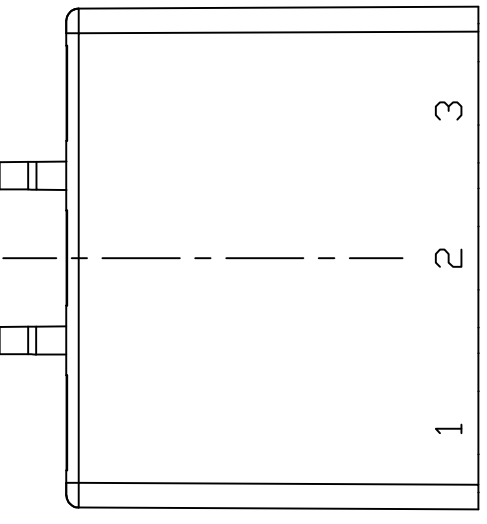


PACKARD ELECTRIC TERMINAL PART No. (NOTE 2)

WIRE GA.	PLATED	UNPLATED
18 GA.	2965510	2962572
16 GA.	2965867	2962573

NOTES:

- 1-MATERIAL IS POLYPROPYLENE
- 2-THIS DIMENSION AND CONNECTOR MATE WITH SPECIFIED DSI SERIES 6200 SWITCHES.
- 3-CONNECTOR TO ACCEPT PACKARD 56 SERIES FEMALE TERMINALS WITHOUT LOCKING NIB. INSTALLED BY CONSUMER (SEE BLOCK).
- 4-CLOSED WINDOW ALLOWS CONNECTOR TO BE INSTALLED IN ONLY ONE DIRECTION ON SPECIFIED SWITCHES.



DELTA SYSTEMS, INC. DOES NOT ASSUME ANY LIABILITY ARISING OUT OF THE MISAPPLICATION OF ANY PRODUCT

UNLESS OTHERWISE SPECIFIED DIMENSIONS ARE IN INCHES TOLERANCES ARE:
 .XXX± .020 .XXX± ANG±

DO NOT SCALE DRAWING

DRAWN	DATE	CHECKED	DATE
AJC	06/29/93	TW	06/29/93

MATERIAL NOTE 1
 FINISH BLACK

DELTA
 SYSTEMS INC.
 STREETSBORO, OHIO 44241

TITLE: CONNECTOR
 6200 SERIES SWITCHES

SIZE: B DWG. NO.: 972305 PROJECT NO.: EX315 REV: B

SCALE: 2X SHEET 1 OF 1