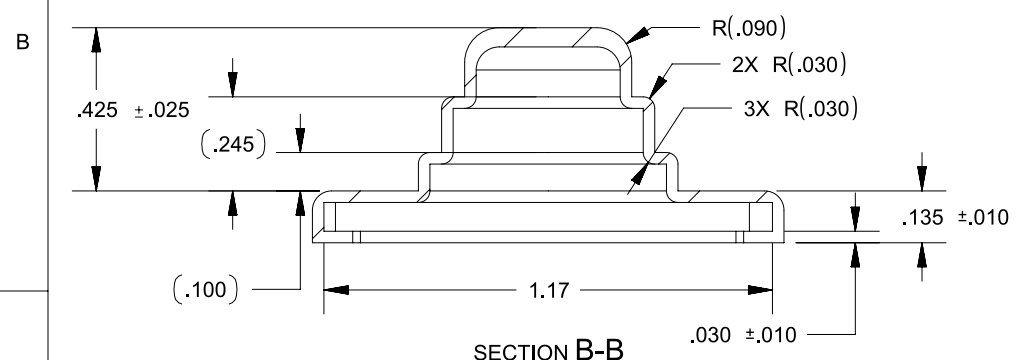
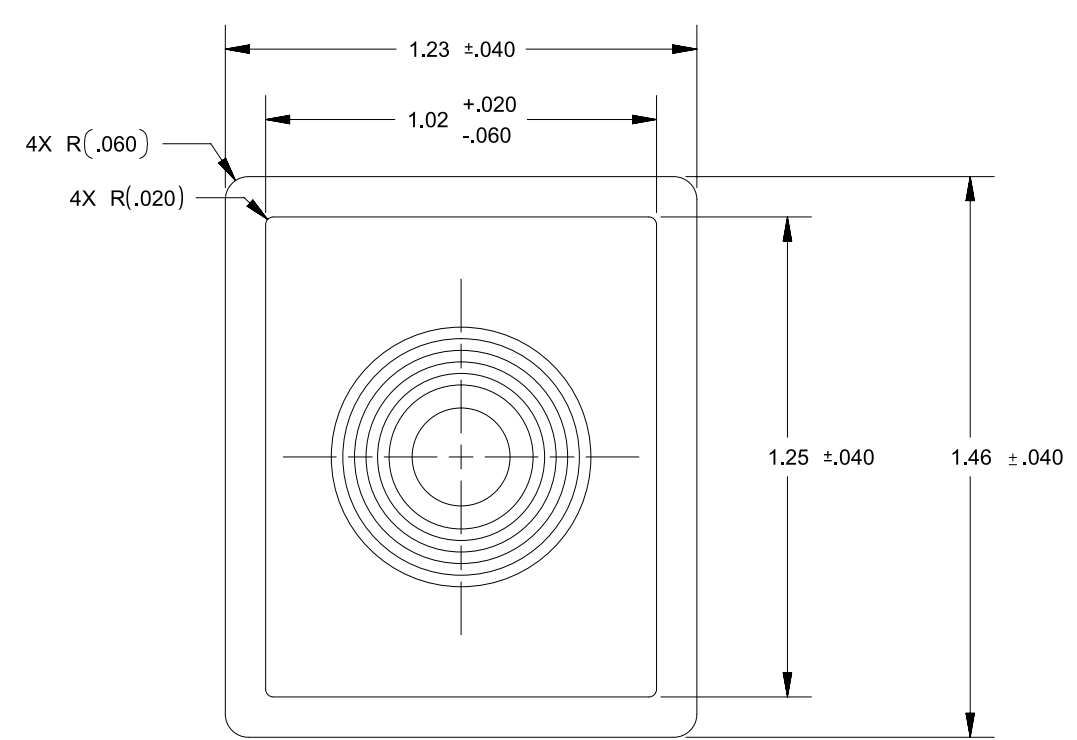
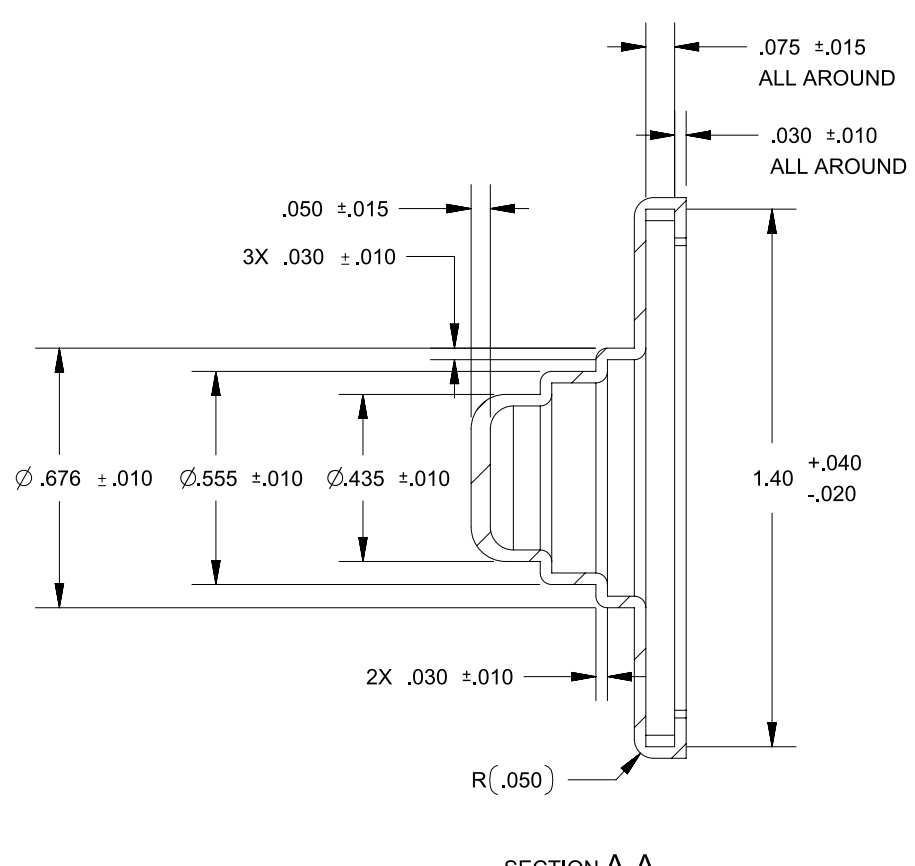
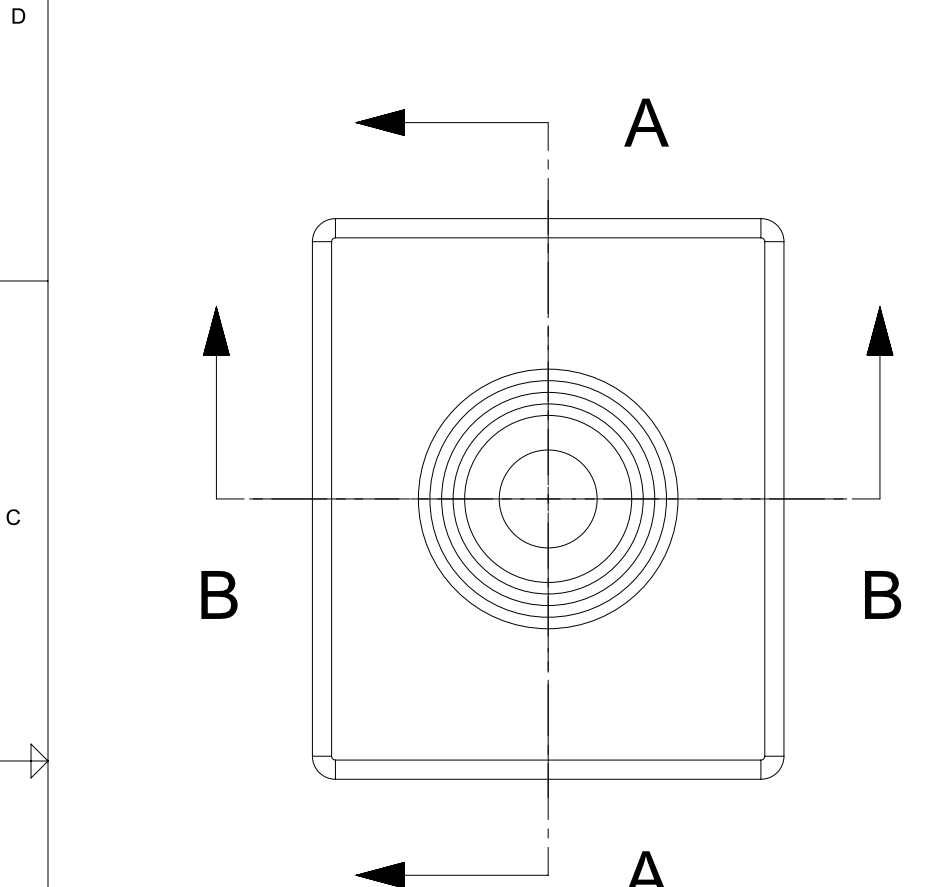


REVISIONS			
REV.	DESCRIPTION	DATE	INIT
0	INITIAL RELEASE	08/06/18	DJK
1	OPENED ALL TOLERANCES PER LAYOUT	09/18/19	IDK



NOTES
 1) INTERPRET DRAWING IN ACCORANCE WITH ASME Y14.5-2009

PROPRIETARY & CONFIDENTIAL THE INFORMATION CONTAINED IN THIS DRAWING IS THE SOLE PROPERTY OF DELTA SYSTEMS. ANY REPRODUCTION IN PART OR AS A WHOLE WITHOUT THE WRITTEN PERMISSION OF DELTA SYSTEMS IS PROHIBITED.	UNLESS OTHERWISE SPECIFIED DIMENSIONS ARE IN INCHES TOLERANCES ARE: .X± .1 .XX± .02 .XXX± .005 X°± 1°	DRAWN dkopacz	DATE 06-Aug-2018	 1734 FROST ROAD STREETSBORO, OHIO 44241 330-626-2811 WWW.DELTASYSTEMSINC.COM
		CHECKED bkral	DATE 22-Mar-2019	
DELTA SYSTEMS INC. DOES NOT ASSUME ANY LIABILITY ARISING OUT OF THE MISAPPLICATION OF ANY PRODUCT	COMPUTER GENERATED DRAWING - NO MANUAL CHANGES ALLOWED	APPROVED ikirbawy	DATE 22-Mar-2019	TITLE Protective Cover, 6444 Series
		MATERIAL 43197	PROJECTED VIEWS ARE 3RD ANGLE 	SIZE B
		FINISH BLACK	STATUS DS4_Design	DWG. NO. 9921
DO NOT SCALE DRAWING		SHEET 1 OF 1	PROJECT NO. 169	REVISION 1