

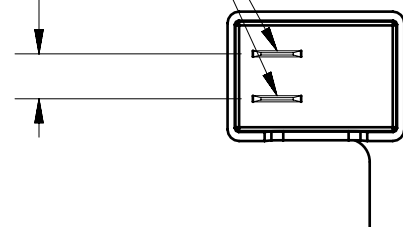
8 7 6 5 4 3 2 1

### REVISIONS

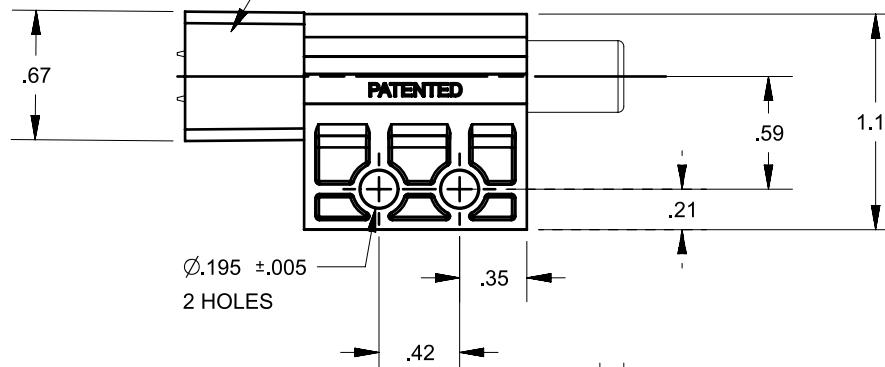
REV.	DESCRIPTION	DATE	INIT
0	INITIAL RELEASE	9/1/2021	DZ
1	ADDED "GRAY BACK COVER" NOTE TO PRINT	08/11/22	PJC
2	6404-06_B WAS 6404-06_A, HOUSING CHANGE	09/06/23	PJC

SWITCH CONTACTS - (N.O.)

(.23)

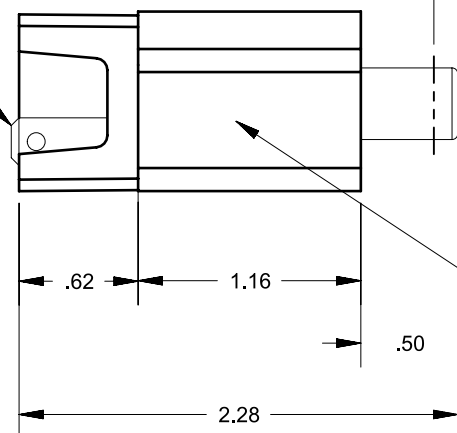


GRAY BACK COVER

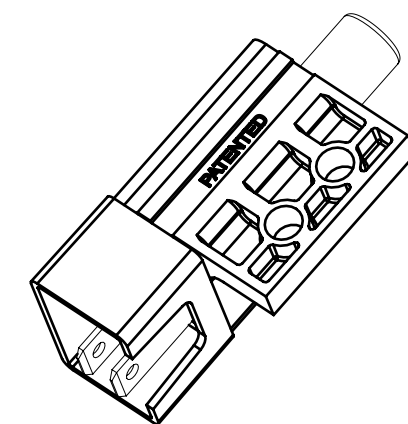
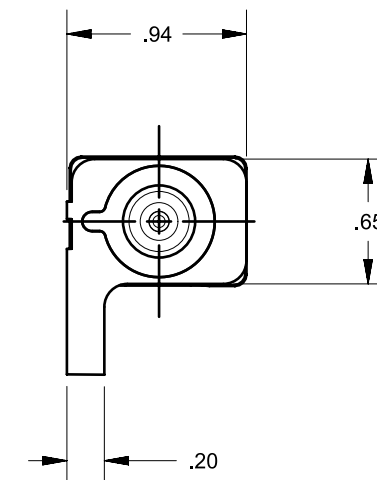


2X MALE TERMINALS 0.250 X 0.032  
MATE WITH APTIV (DELPHI) 02973872  
FEMALE CONNECTOR (NOTE 15)

.040 - .150  
TO MAKE OR  
BREAK CONTACTS  
  
TOTAL TRAVEL OF  
PLUNGER IS  
.400 MAX FROM  
REST POSITION



DATE CODE STAMPED  
ON BODY OF SWITCH  
SEE NOTE 14



NOTES:

- 1) INTERPRET THIS DRAWING IN ACCORDANCE WITH ASME Y14.5-2009.
- 2) IN COMPLIANCE WITH DIRECTIVE 2011/65/EU OF THE EUROPEAN PARLIAMENT AND THE COUNCIL OF 8 JUNE 2011 ON THE RESTRICTION OF THE USE OF CERTAIN HAZARDOUS SUBSTANCES IN ELECTRICAL AND ELECTRONIC EQUIPMENT (ROHS DIRECTIVE).
- 3) LIFE EXPECTANCY AND SWITCH PERFORMANCE ARE LARGELY DEPENDENT ON APPLICATION. IT IS THE USER'S RESPONSIBILITY TO DETERMINE SUITABILITY OF THIS PRODUCT FOR THE APPLICATION. THIS INFORMATION IS INTENDED AS A GUIDE FOR PROPER APPLICATION.
- 4) ELECTRICAL RATING: 3A @ 12-14VDC
- 5) ELECTRICAL LIFE AT RATED LOAD: 10K CYCLES INDUCTIVE, 75K CYCLES RESISTIVE
- 6) MECHANICAL LIFE: 100K CYCLES
- 7) OPERATING TEMPERATURE: -30°C TO 65°C
- 8) IP67 RATED
- 9) OPERATING FORCE: 7.5 LBS +/-1.2 LBS AT .400 TRAVEL
- 10) TOTAL TRAVEL OF PLUNGER IS .40 MIN FROM REST POSITION.
- 11) HOUSING PARTS ARE POLYPROPYLENE. PLUNGER IS ACETAL. HOUSING SEAL IS TPE.
- 12) TERMINALS ARE NICKEL PLATED
- 13) TERMINALS ARE SEALED WITH BLACK POTTING
- 14) DATE CODE INDICATING YEAR, MONTH AND DAY OF MONTH MANUFACTURED STAMPED ON HOUSING.
- 15) 2X .250 X .032 MALE SPADE TERMINALS, MATES WITH APTIV (DELPHI) 02973872 FEMALE CONNECTOR

PROPRIETARY & CONFIDENTIAL THE INFORMATION CONTAINED IN THIS DRAWING IS THE SOLE PROPERTY OF DELTA SYSTEMS. ANY REPRODUCTION IN PART OR AS A WHOLE WITHOUT THE WRITTEN PERMISSION OF DELTA SYSTEMS IS PROHIBITED.	UNLESS OTHERWISE SPECIFIED DIMENSIONS ARE IN INCHES TOLERANCES ARE: .X± .1 .XX± .02 .XXX± .005 X°± 1°	DRAWN dzlatic	DATE 01-Sep-2021	1734 FROST ROAD STREETSBORO, OHIO 44241 330-626-2811 WWW.DELTASYSTEMSINC.COM	
		CHECKED pcolonna	DATE 15-Dec-2021		
APPROVED ikirbawy	DATE 16-Dec-2021	PROJECTED VIEWS ARE 3RD ANGLE 			
MATERIAL -	FINISH -	STATUS DS4_Design			
DELTA SYSTEMS INC. DOES NOT ASSUME ANY LIABILITY ARISING OUT OF THE MISAPPLICATION OF ANY PRODUCT	COMPUTER GENERATED DRAWING - NO MANUAL CHANGES ALLOWED	DO NOT SCALE DRAWING	TITLE NO SEALED PLUNGER SWITCH ASSEMBLY	SIZE B	DWG. NO. 6404-06_APP
		SCALE NTS	SHEET 1 OF 1	PROJECT NO. 134	REVISION 2

8 7 6 5 4 3 2 1