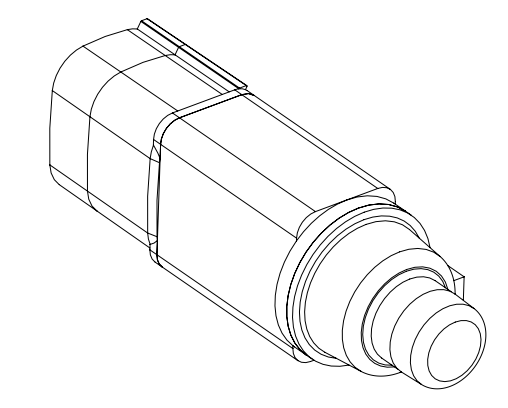
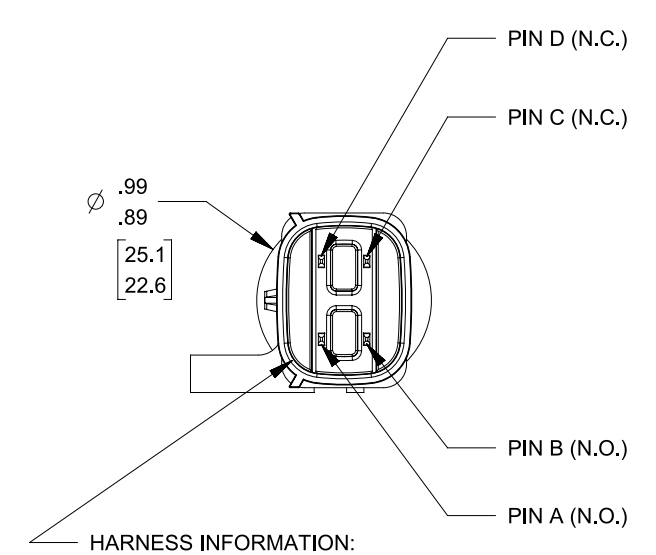
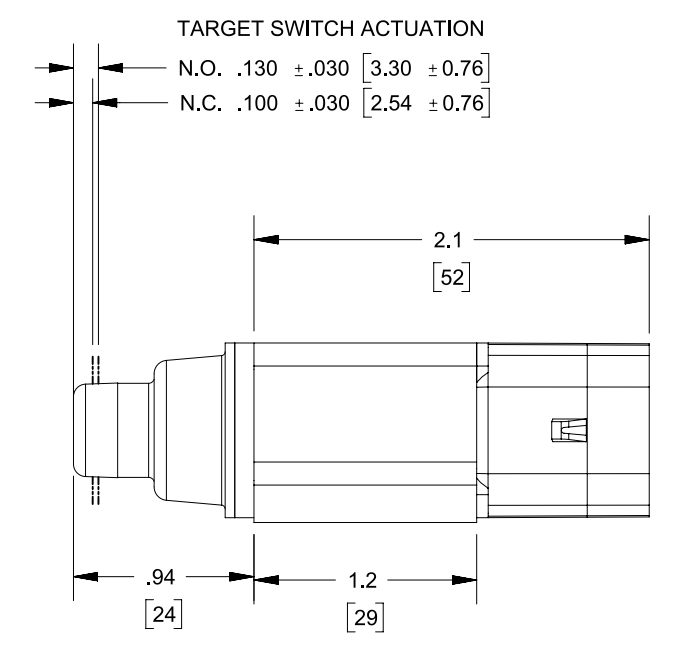
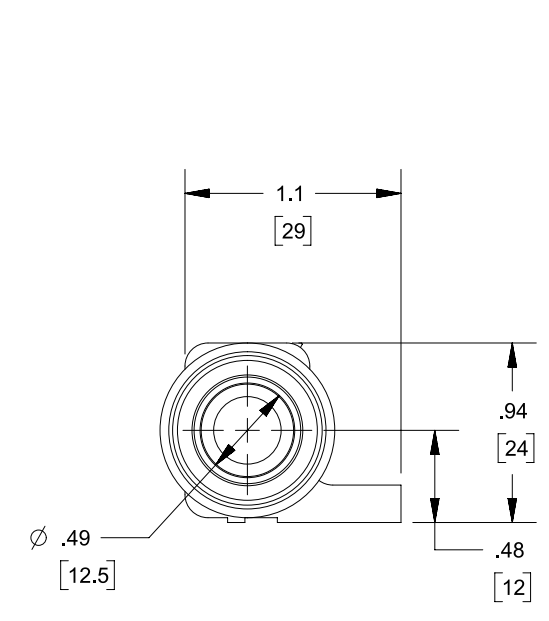
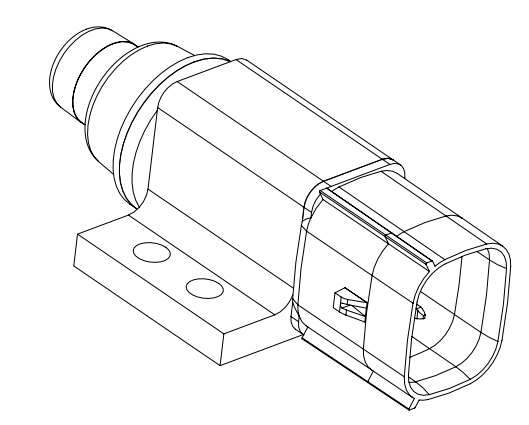
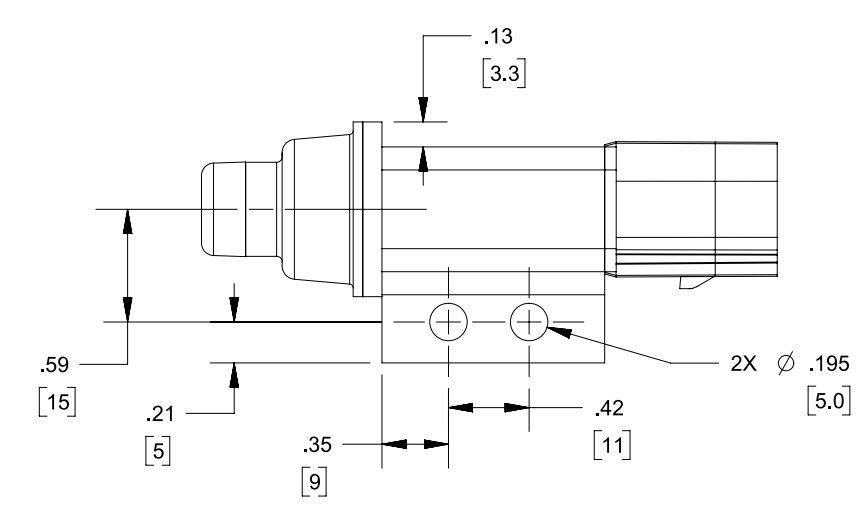
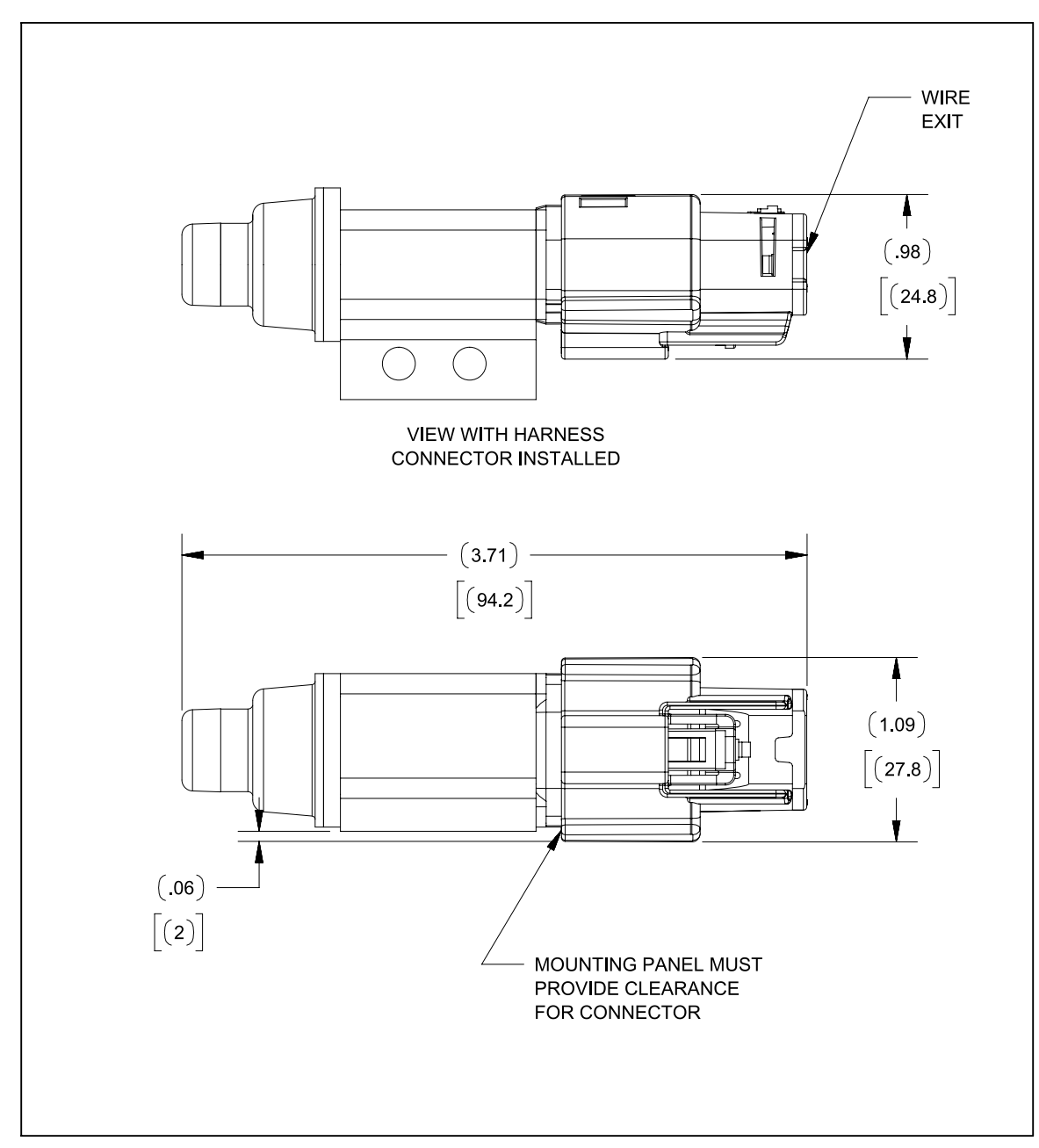


REVISIONS			
REV.	DESCRIPTION	DATE	INIT
~	INITIAL RELEASE, CR1830	10/01/09	CAK
A	DIM ERROR WAS [5.0+/-0], MODIFIED NOTE 3	05/10/10	DRY
B	ADDED NOTE 11, CN3073	12/21/11	PJC
3	MIGRATED TO NX, UPDATED DIMENSIONS, ADDED ASME NOTE, ECO313	10/06/15	BMS
4	MATING MOLEX CONNECTOR 33472-4801 WAS 33472-0801	07/25/23	PJC



HARNESS INFORMATION:
 SWITCH MATES WITH MOLEX MX150 SERIES
 ASSEMBLY #33472-4801
 PIN A - MOLEX TERMINAL 1
 PIN B - MOLEX TERMINAL 5
 PIN C - MOLEX TERMINAL 8
 PIN D - MOLEX TERMINAL 4

- NOTES
- 1) DIMENSIONS IN BRACKETS ARE IN MILLIMETERS
 - 2) SWITCH PASSES IEC IP67
 - 3) EACH ASSEMBLY IS LEAK TESTED BY PRESSURIZING (WITH AIR) THE INTERNAL VOLUME TO 2 PSIG. SWITCH MUST MAINTAIN AIR VOLUME WITHIN 0-1 SCC/MIN RATE OF CHANGE
 - 4) USE CAVITY PLUG NUMBER 34345-0001 TO SEAL OFF UNUSED CONNECTOR CAVITIES
 - 5) ELECTRICAL SPECIFICATIONS:
 LOAD: TYPICAL 0.7 AMPS AT 14.7 VDC
 TYPICAL 6 mA AT 63 VDC
 WHEN CONNECTED TO ELECTRONIC DEVICES, A MINIMUM OF 15 mA AT 12 VDC IS RECOMMENDED
 - 6) DESIGN FOR A SWITCH BOUNCE OF 30ms
 - 7) INTEGRITY OF WELD AND SWITCH FUNCTIONALITY TESTED AFTER ASSEMBLY
 - 8) THE BODY, BACK COVER, AND PLUNGER ARE GRAY
 - 9) ACTUATION FORCE 5.0-7.5 LBS AT .400 PLUNGER TRAVEL WITH SEALED CONNECTOR INSTALLED
 - 10) TOTAL TRAVEL OF PLUNGER IS .40 MIN FROM REST POSITION
 - 11) RECOMMENDED MOUNTING METHOD IS 2-#10 MACHINE OR SELF-TAPPING SCREWS. CLEARANCE HOLES FOR MOUNTING ARE PROVIDED IN THE SWITCH BODY. MAXIMUM TORQUE IS 30 IN-LBS.
 - 12) INTERPRET THIS DRAWING IN ACCORDANCE WITH ASME Y14.5-2009



PROPRIETARY & CONFIDENTIAL THE INFORMATION CONTAINED IN THIS DRAWING IS THE SOLE PROPERTY OF DELTA SYSTEMS. ANY REPRODUCTION IN PART OR AS A WHOLE WITHOUT THE WRITTEN PERMISSION OF DELTA SYSTEMS IS PROHIBITED.	UNLESS OTHERWISE SPECIFIED DIMENSIONS ARE IN INCHES TOLERANCES ARE: .X ± .1 .XX ± .02 .XXX ± .005 X° ± 1	DRAWN ckahnert	DATE 15-Jul-2009	1734 FROST ROAD STREETSBORO, OHIO 44241 330-626-2811 WWW.DELTASYSTEMSINC.COM
		CHECKED mliedtke	DATE 19-Jul-2009	
DELTA SYSTEMS INC. DOES NOT ASSUME ANY LIABILITY ARISING OUT OF THE MISAPPLICATION OF ANY PRODUCT	COMPUTER GENERATED DRAWING - NO MANUAL CHANGES ALLOWED	APPROVED ikirbawy	DATE 05-Nov-2015	TITLE N.C./N.O. Plunger Switch
		MATERIAL -	FINISH -	PROJECTED VIEWS ARE 3RD ANGLE
DO NOT SCALE DRAWING		STATUS DS4_Design	DWG. NO. 6470-53_APP	SIZE C
		SCALE NTS	SHEET 1 OF 1	PROJECT NO. CR1832
			REVISION 4	