

8

7

6

5

4

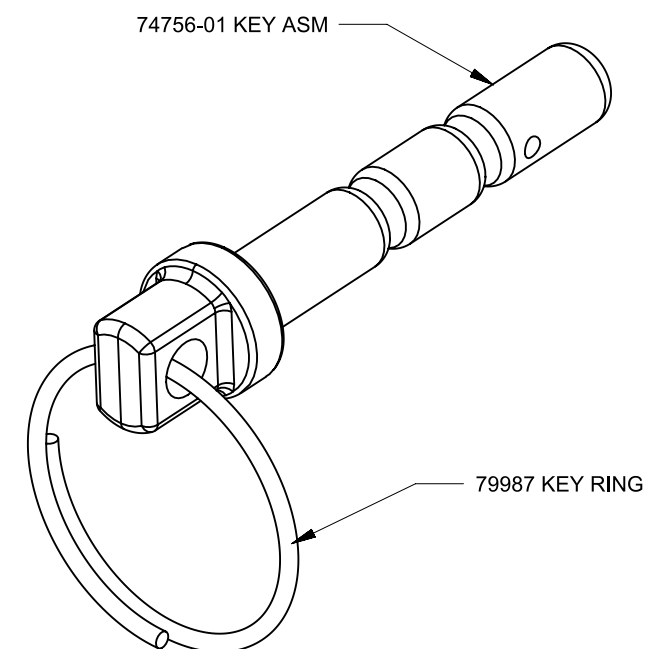
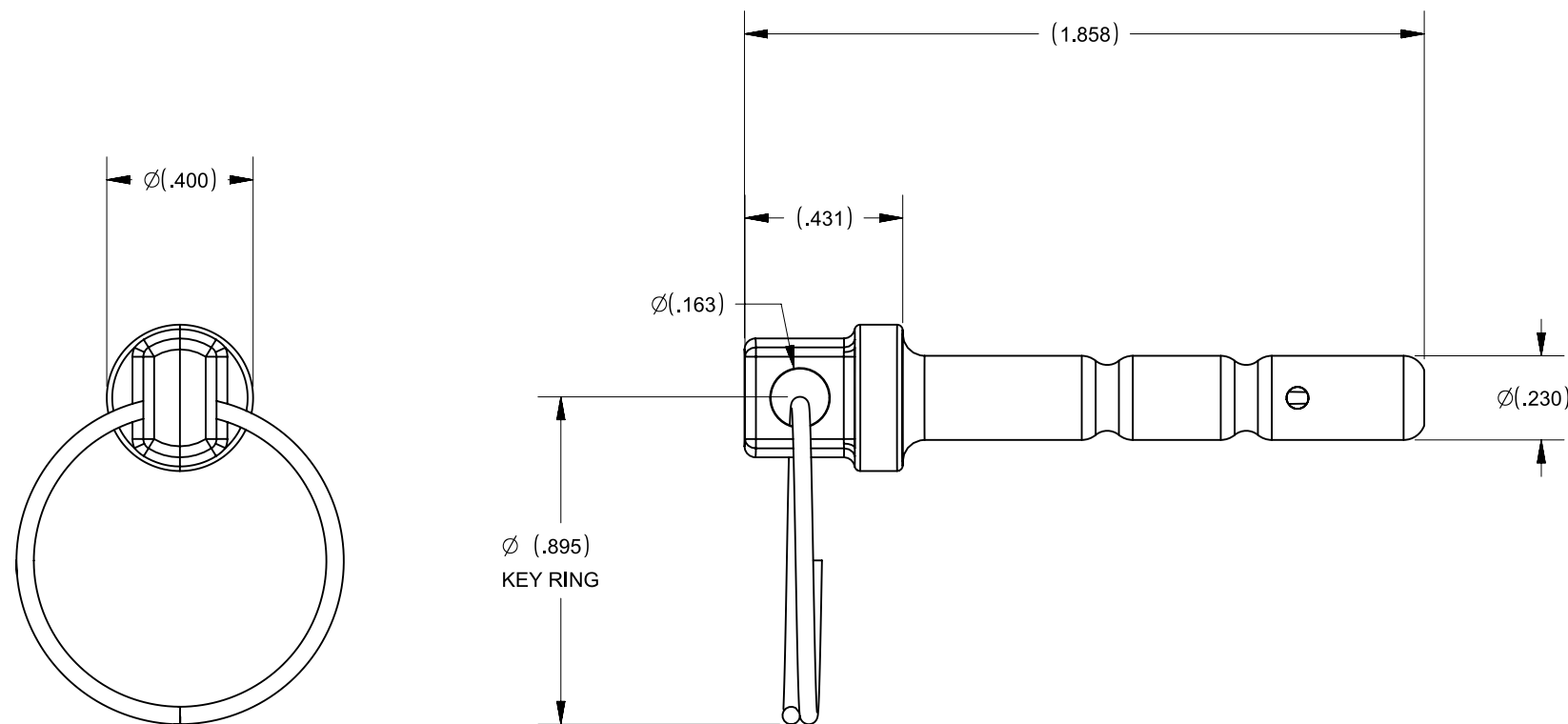
3

2

1

REVISIONS

REV.	DESCRIPTION	DATE	INIT
0	INITIAL RELEASE, ECN 000091	02/15/2022	RPK



NOTES

- MUST BE IN COMPLIANCE WITH DIRECTIVE 2011/65/EU OF THE EUROPEAN PARLIAMENT AND THE COUNCIL OF 8 JUNE 2011 ON THE RESTRICTION OF THE USE OF CERTAIN HAZARDOUS SUBSTANCES IN ELECTRICAL AND ELECTRONIC EQUIPMENT.
- INTERPRET THIS DRAWING IN ACCORDANCE WITH ASME Y14.5-2009
- KEY RETENTION: 4LB MIN AFTER 20,000 OPERATIONS
KEY INSTALLATION FORCE 5LB MAX

PROPRIETARY & CONFIDENTIAL THE INFORMATION CONTAINED IN THIS DRAWING IS THE SOLE PROPERTY OF DELTA SYSTEMS. ANY REPRODUCTION IN PART OR AS A WHOLE WITHOUT THE WRITTEN PERMISSION OF DELTA SYSTEMS IS PROHIBITED.	UNLESS OTHERWISE SPECIFIED DIMENSIONS ARE IN INCHES TOLERANCES ARE: .X± .1 .XX± .02 .XXX± .005 X°± 1°	DRAWN rkawolics	DATE 09-Aug-2021	DELTA SYSTEMS 1734 FROST ROAD STREETSBORO, OHIO 44241 330-626-2811 WWW.DELTASYSTEMSINC.COM
		CHECKED pColonna	DATE 15-Feb-2022	
DELTA SYSTEMS INC. DOES NOT ASSUME ANY LIABILITY ARISING OUT OF THE MISAPPLICATION OF ANY PRODUCT	COMPUTER GENERATED DRAWING - NO MANUAL CHANGES ALLOWED	APPROVED dzlatic	DATE 17-Feb-2022	TITLE KEY ROUND ASSEMBLY
		MATERIAL -	PROJECTED VIEWS ARE 3RD ANGLE 	SIZE B
DO NOT SCALE DRAWING		FINISH -	STATUS DS4_Design	DWG. NO. 74756-03_APP
		SCALE NTS	SHEET 1 OF 1	PROJECT NO. 234
				REVISION 0

8

7

6

5

4

3

2

1